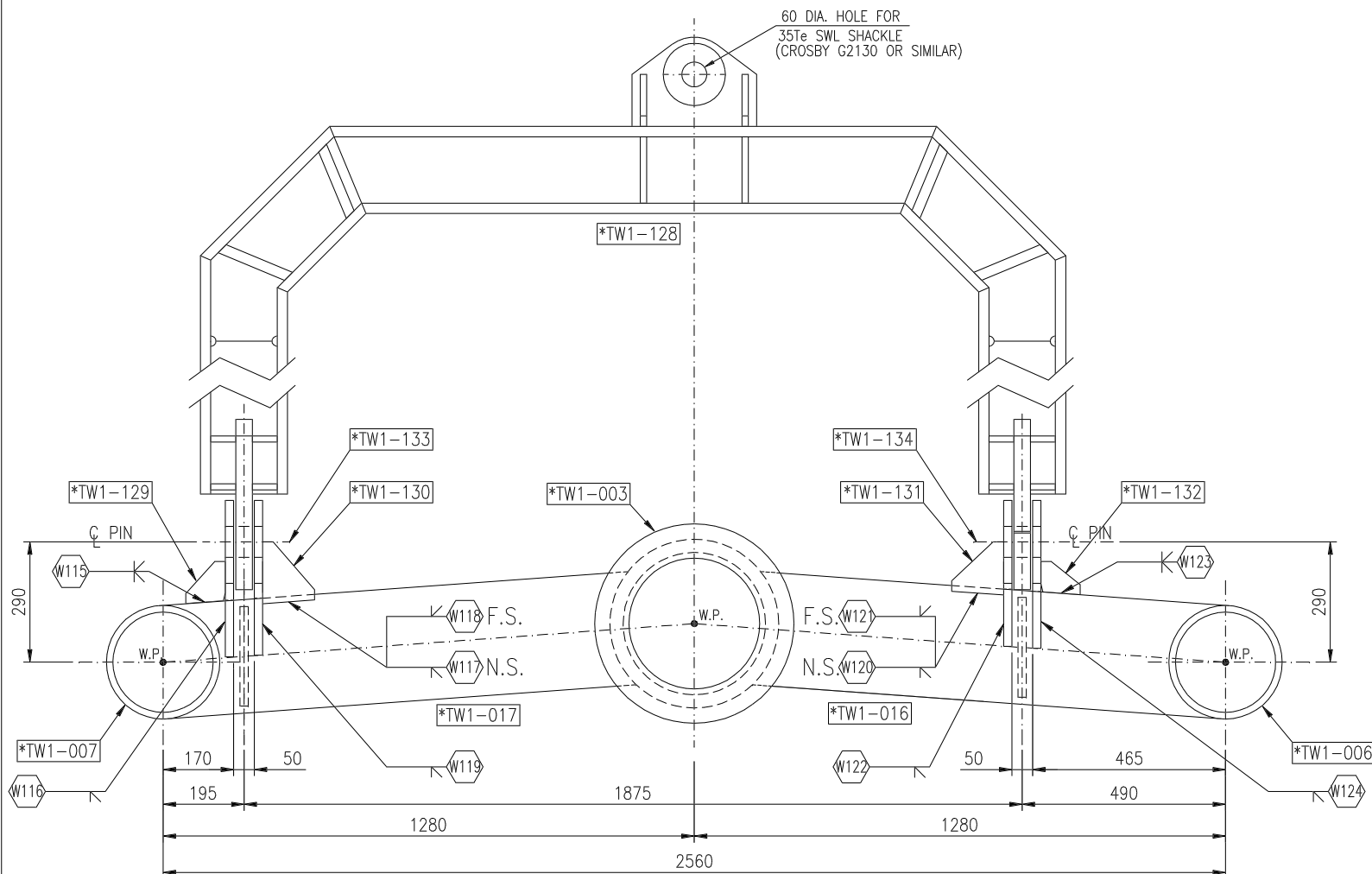
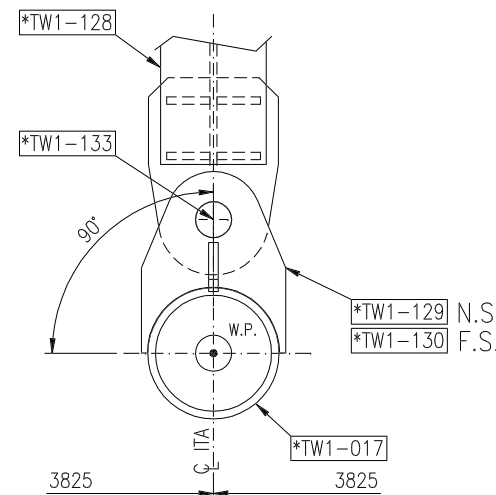


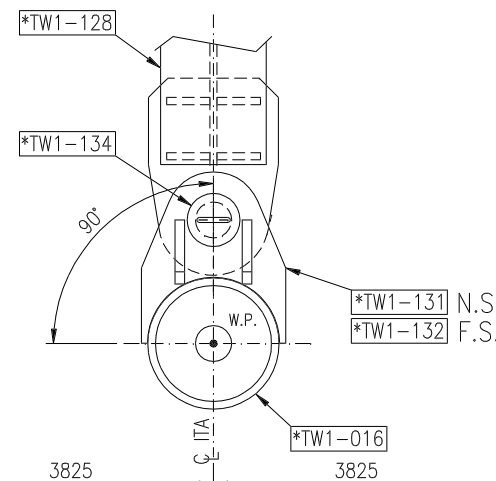
**PLAN VIEW**  
ARTICULATED BUOYANCY YOKE



**SECTION A1-A1**  
ARTICULATED BUOYANCY YOKE



**SECTION B1-B1**  
ARTICULATED BUOYANCY YOKE



**SECTION C1-C1**  
ARTICULATED BUOYANCY YOKE

**NOTES**

- 1 - ALL DIMENSIONS ARE IN MILLIMETRES U.N.O.
- 2 - ALL ELEVATIONS ARE REFERRED TO MEAN LOW WATER (M.L.W.) ± 0.00 m.
- 3 - THE SYMBOL W<sub>xx</sub> INDICATES WELDS TO BE PERFORMED DURING ERECTION
- 4 -  $*TW1-xxx = 1TW1-xxx, 2TW1-xxx$  MARK  
ITEM NO.
- 5 - 2 NO. REQD. MEANS 1 FOR 1TW1 & 1 FOR 2TW1
- 6 - ● VENT HOLE NEAR SIDE
- 7 - FABRICATOR TO INSTALL ELASTOMETRIC CHECK VALVES IN EACH HOLE TO PREVENT FREE CIRCULATION OF WATER INSIDE MEMBERS FOR "IN-PLACE" CONDITIONS
- 8 - CONTACT SURFACES BENEATH WASHERS/NUTS SHALL BE LEFT BARE (OR PAINT REMOVED, IF ANY) FOR BOLTED CONNECTIONS TO GUARANTEE ELECTRICAL CONTINUITY
- 9 - WELD NUMBER: W115 - W124

|   |          |                         |      |      |      |
|---|----------|-------------------------|------|------|------|
| 0 | 20-02-07 | ISSUED FOR CONSTRUCTION | M.A. | L.O. | C.A. |
|---|----------|-------------------------|------|------|------|

WARNING: This document as printed may not be the latest version. Please refer to the electronic file in the MDR tools

|  |  |  |  |
|--|--|--|--|
|  | <b>TOTAL UPSTREAM NIGERIA LIMITED</b><br><b>NIGERIA - OML 130</b><br><b>AKPO Field Development Project</b>     |  |  |
|  | UMBILICALS, FLOWLINES AND RISERS (UFR)<br>WATER INJECTION ITA TYPE TW1<br>ASSEMBLY - ARTICULATED BUOYANCY YOKE |  |  |

| SCNL : Doc. ref.             | Revision | Status | Class | Scale | PAGE |
|------------------------------|----------|--------|-------|-------|------|
| NG50-3-202-FAB-DW-AB-76-2471 | 0        | IFC    | -     | -     | 9/12 |

This drawing and the design it covers are the property of SAPEM SCNL. They are merely loaned and on the borrower's express agreement that they will not be reproduced, copied, loaned, exhibited, nor used except in the limited way and private use permitted by any written consent given by the lender to the borrower.