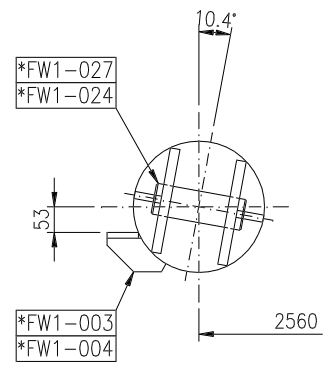
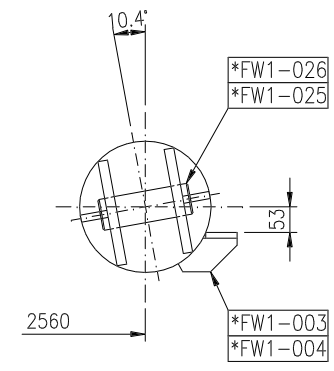


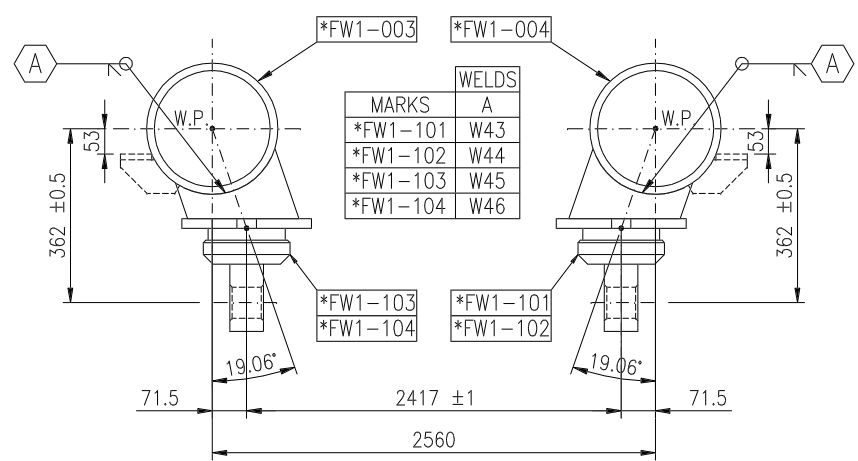
PLAN VIEW



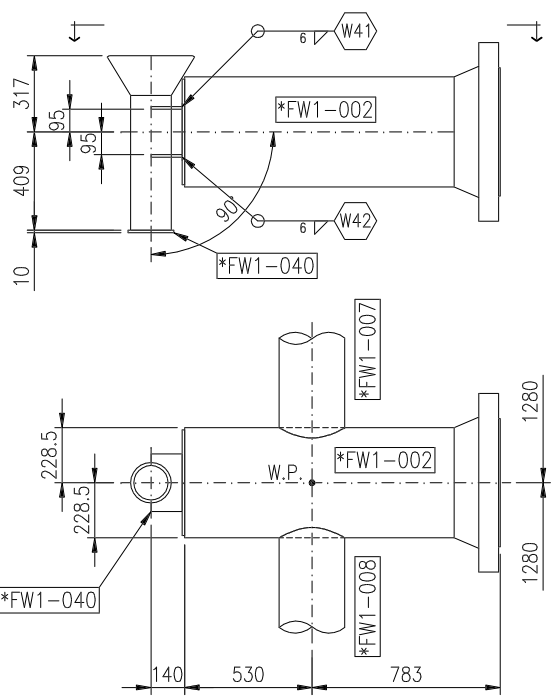
SECTION A-A



SECTION B-B



SECTION C-C



SECTION D-D

NOTES

- 1 - ALL DIMENSIONS ARE IN MILLIMETRES U.N.O.
- 2 - ALL ELEVATIONS ARE REFERRED TO MEAN LOW WATER (M.L.W.) ± 0.00 m.
- 3 - THE SYMBOL Wxx INDICATES WELDS TO BE PERFORMED DURING ERECTION
- 4 - *FW1-xxx = 1FW1-xxx, 2FW1-xxx
- 5 - 2 NO. REQD. MEANS 1 FOR 1FW1 & 1 FOR 2FW1
- 6 - ● VENT HOLE NEAR SIDE
- 7 - FABRICATOR TO INSTALL ELASTOMETRIC CHECK VALVES IN EACH HOLE TO PREVENT FREE CIRCULATION OF WATER INSIDE MEMBERS FOR "IN-PLACE" CONDITIONS
- 8 - CONTACT SURFACES BENEATH WASHERS/NUTS SHALL BE LEFT BARE (OR PAINT REMOVED, IF ANY) FOR BOLTED CONNECTIONS TO GUARANTEE ELECTRICAL CONTINUITY
- 9 - WELD NUMBER: W1 - W46

Rev.	Date	DESIGNATION	Initiator	Reviewed by	Approved by
0	30-01-07	ISSUED FOR CONSTRUCTION	M.A.	L.O.	C.A.

TOTAL UPSTREAM NIGERIA LIMITED
NIGERIA - OML 130
AKPO Field Development Project

UMBILICALS, FLOWLINES AND RISERS (UFR)
 WATER INJECTION FLET TYPE FW1
 ASSEMBLY-MAIN STRUCTURE-PLAN & SECTIONS A-A:D-D

SCNL : Doc. ref.	Revision	Status	Class	Scale	PAGE
NG50-3-202-FAB-DW-AB-56-2441	0	IFC	-	-	2/11

This drawing and the design it covers are the property of SAPEM SCNL. They are merely loaned and on the borrower's express agreement that they will not be reproduced, copied, loaned, exhibited, nor used except in the limited way and private use permitted by any written consent given by the lender to the borrower.