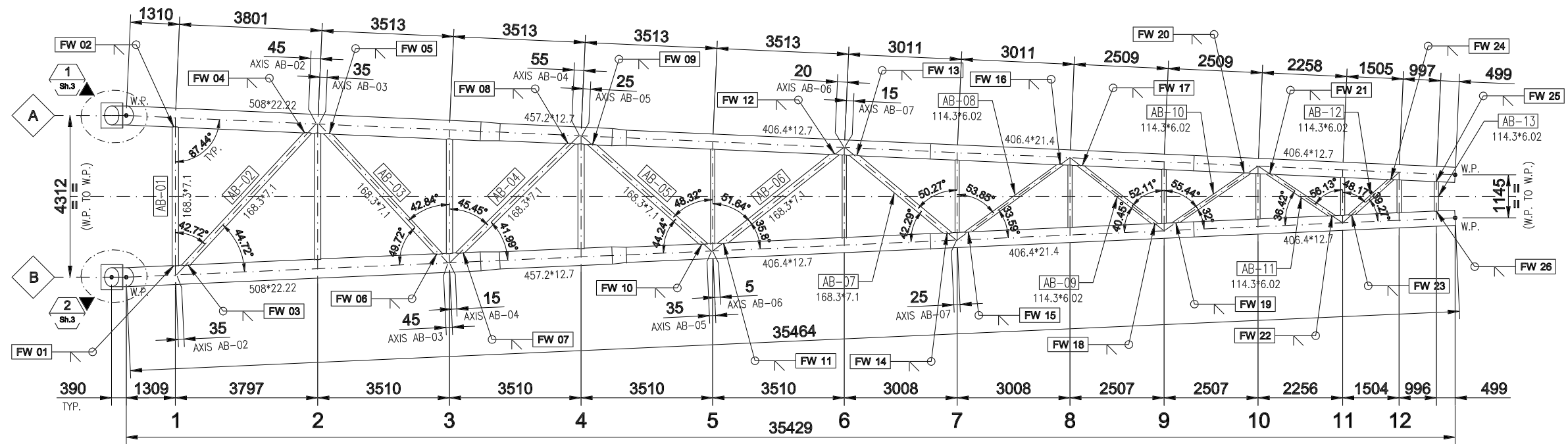
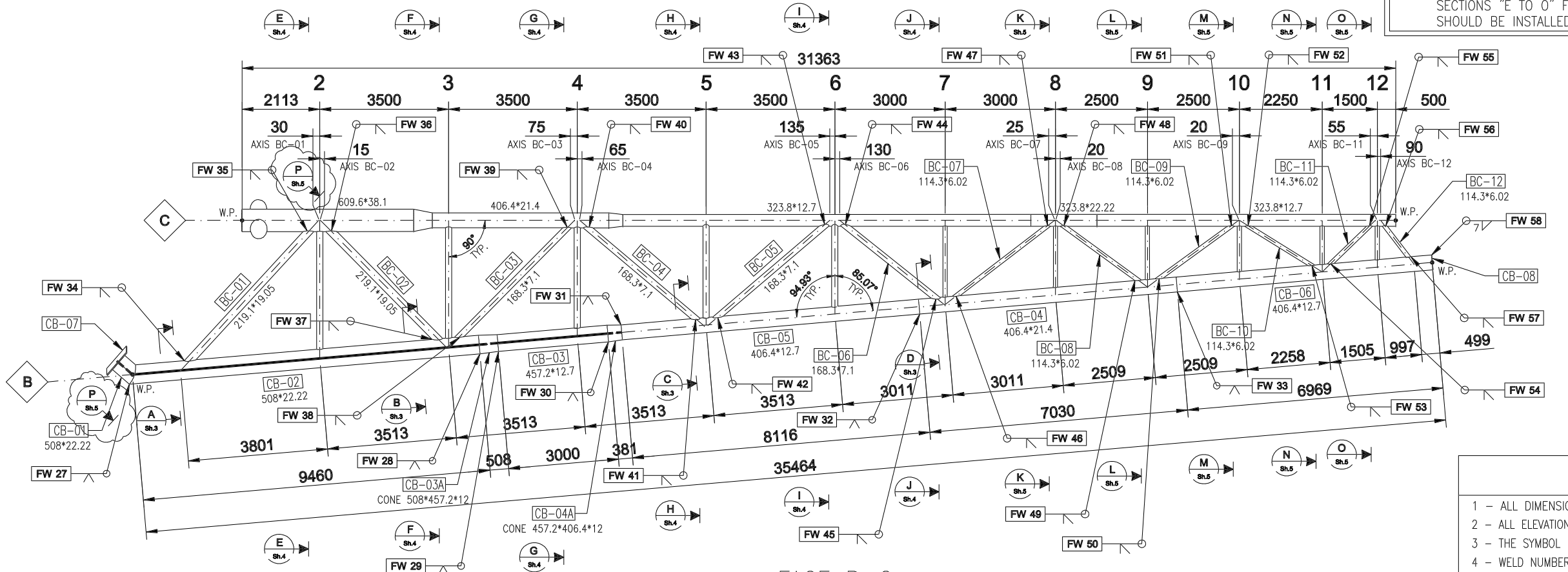


This drawing and the design it covers are the property of PETROMAR. They are merely loaned and on the borrower's express agreement that they will not be reproduced, copied, loaned, exhibited, nor used except in the limited way and private use permitted by the lender to the borrower.

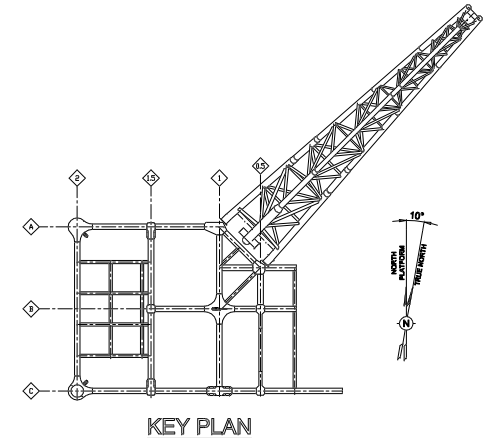


FACE A-B
(VIEW FROM ABOVE)

NOTE: BOTTOM CHORD A OR B ARE NOT IN PLANE WITH (DO NOT INTERSECT) TOP CHORD C.
IN ORDER TO CORRECTLY ASSEMBLY THE VENT BOOM, THE BOTTOM FACE AB (IN PLANE) SHOULD BE ASSEMBLED FIRST. THEN, THE TOP CHORD C SHOULD BE POSITIONED ACCORDING TO THE RELEVANT SECTIONS "E TO O" FINALLY BRACINGS AND DIAGONAL OF FACE AC & BC SHOULD BE INSTALLED.



FACE B-C
(EXTERNAL VIEW)



NOTES

- 1 - ALL DIMENSIONS ARE IN MILLIMETRES U.N.O.
- 2 - ALL ELEVATIONS ARE REFERRED TO MEAN LOW WATER (M.L.W.) ± 0.00 m.
- 3 - THE SYMBOL FWxx INDICATES WELDS TO BE PERFORMED IN FIELD
- 4 - WELD NUMBER: FW01 - FW58
- 5 - ——— LONGITUDINAL WELD N.S.
- 6 - - - - - LONGITUDINAL WELD F.S.
- 7 - FOR MATERIAL LIST SEE Sh.3

REF. DOC. N°	REV	REFERENCE DOCUMENT TITLE	Rev.	Date DD-MM-YY	Revision Description	ICV	NAR	MMF	ADV/DMOI
	2	05-JUN-09			REVISED I.A.W. CLIENT REVISION	ICV	NAR	MMF	ADV/DMOI
	1	01-FEB-09			APPROVED FOR CONSTRUCTION	ICV	NAR	MMF	ADV/DMOI

Scale: N.T.S.
Original Paper size: A3
Plotter: A1, A3

Company: TOTAL E&P ANGOLA
ANGOLA - BLOCK 17

Project name: BLOCK 2
SINGLE CENTRAL PLATFORM (SCP)

Company's contract N°: N/A
Product: N/A
Type of document: DRAWING

Contractors: Eni, Salpem sa., Petromar

Document title: VENT BOOM
PRIMARY STEEL - ASSEMBLY
FACE "A-B & B-C"

Job N°	Origin	Unit	Discipline	Doc. Type	Seq. Num.	Sheet	Rev.
F33099	PTM	400	STR	ASD	4200	1-5	2