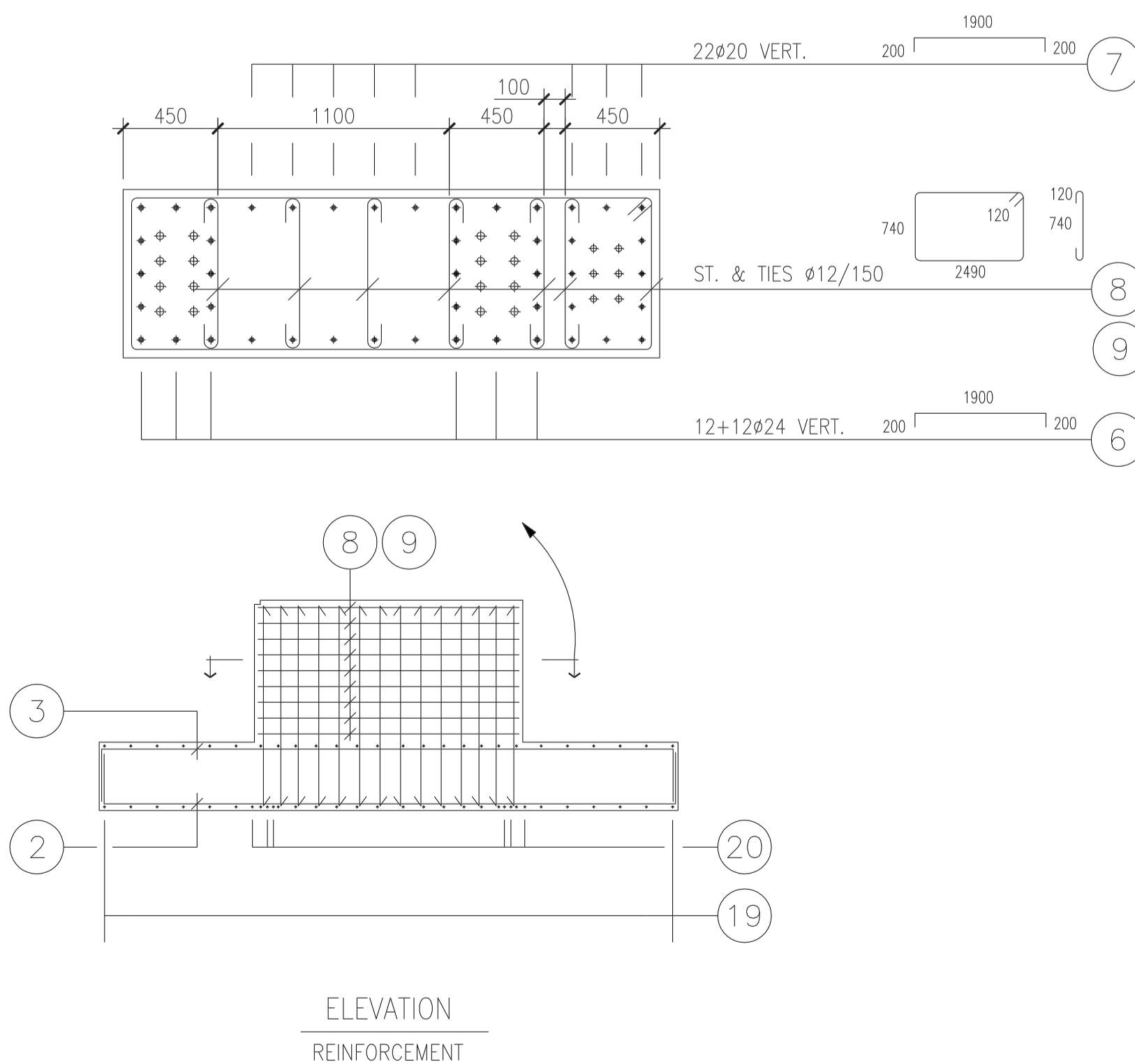
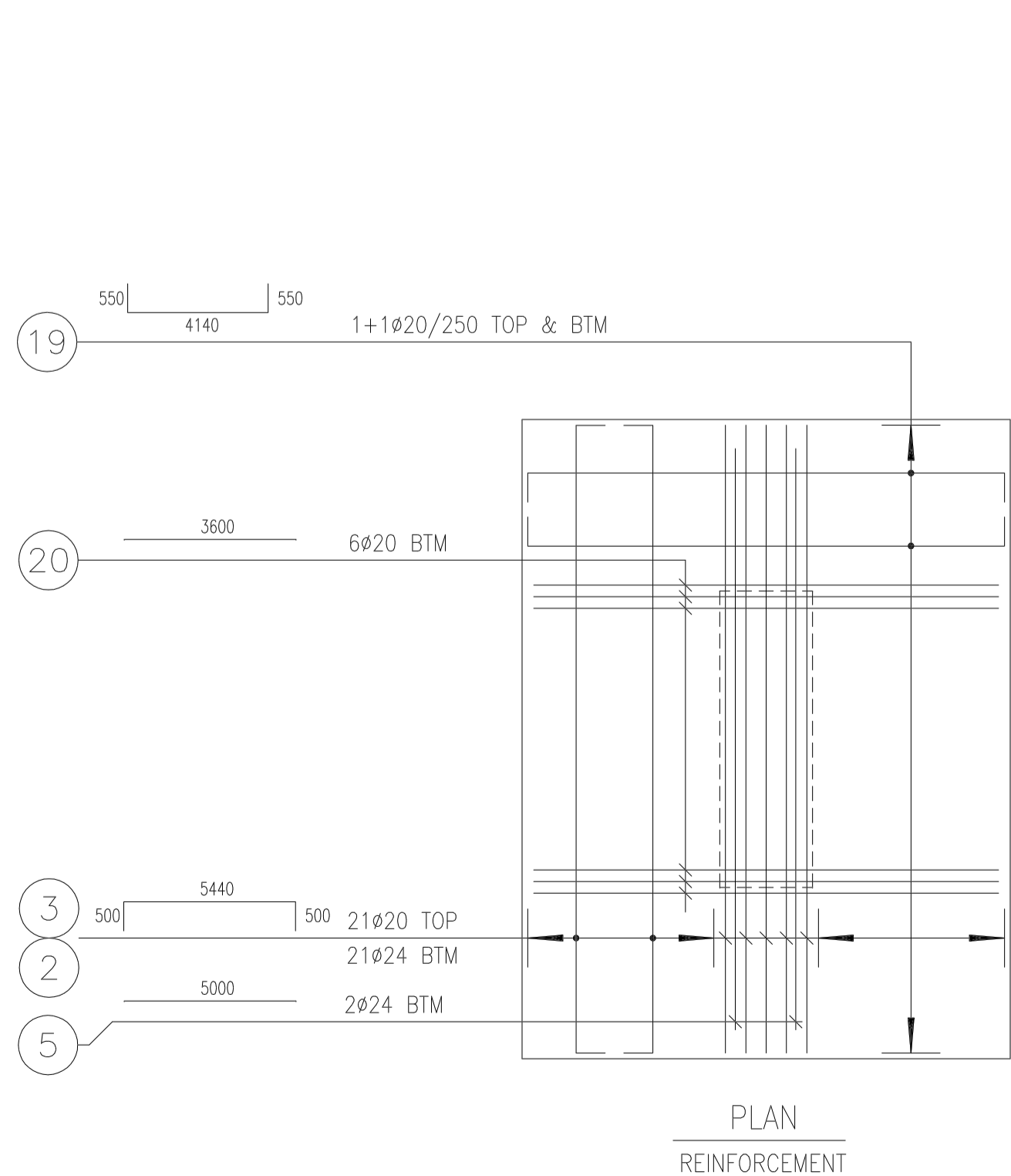
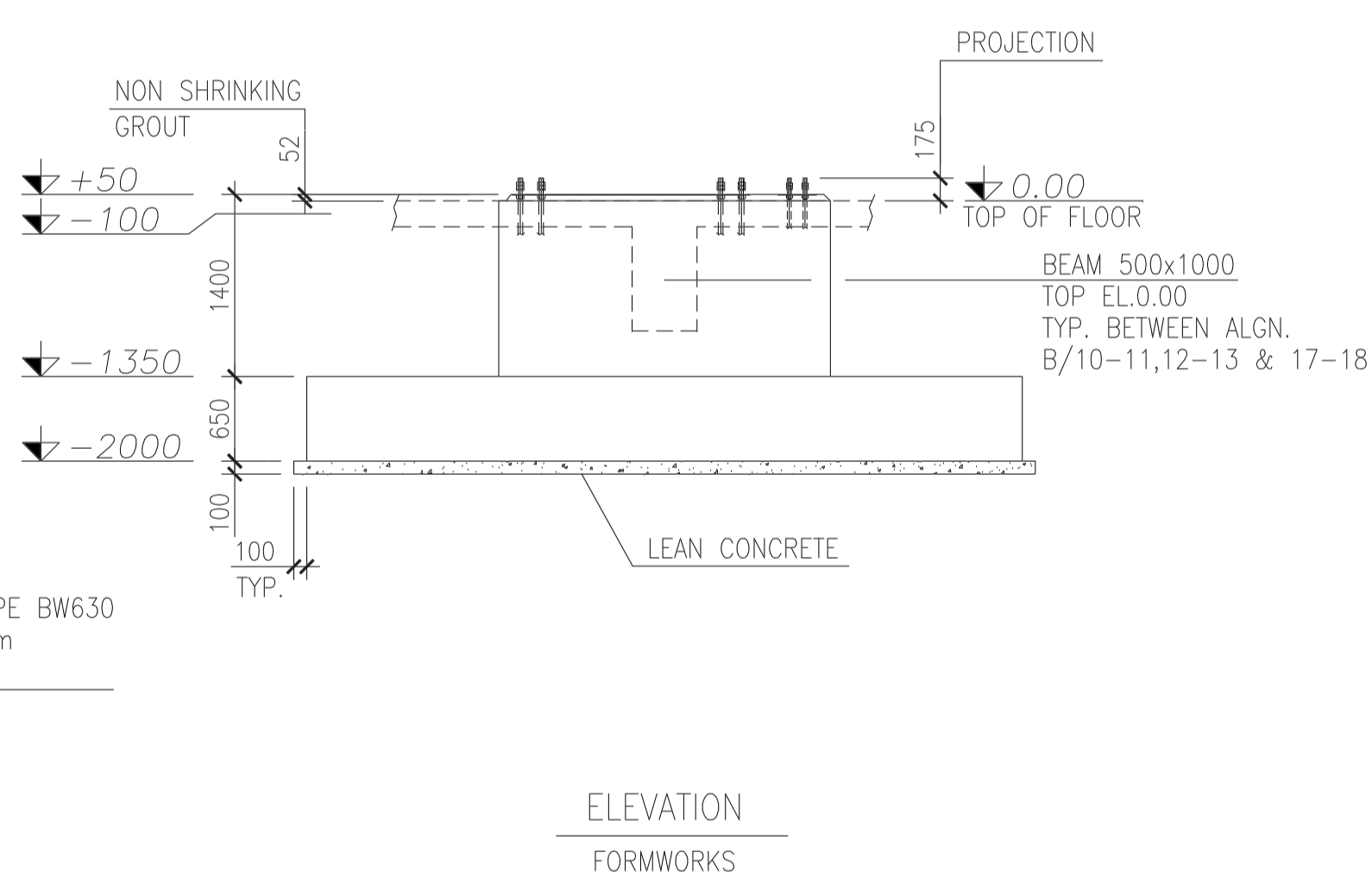
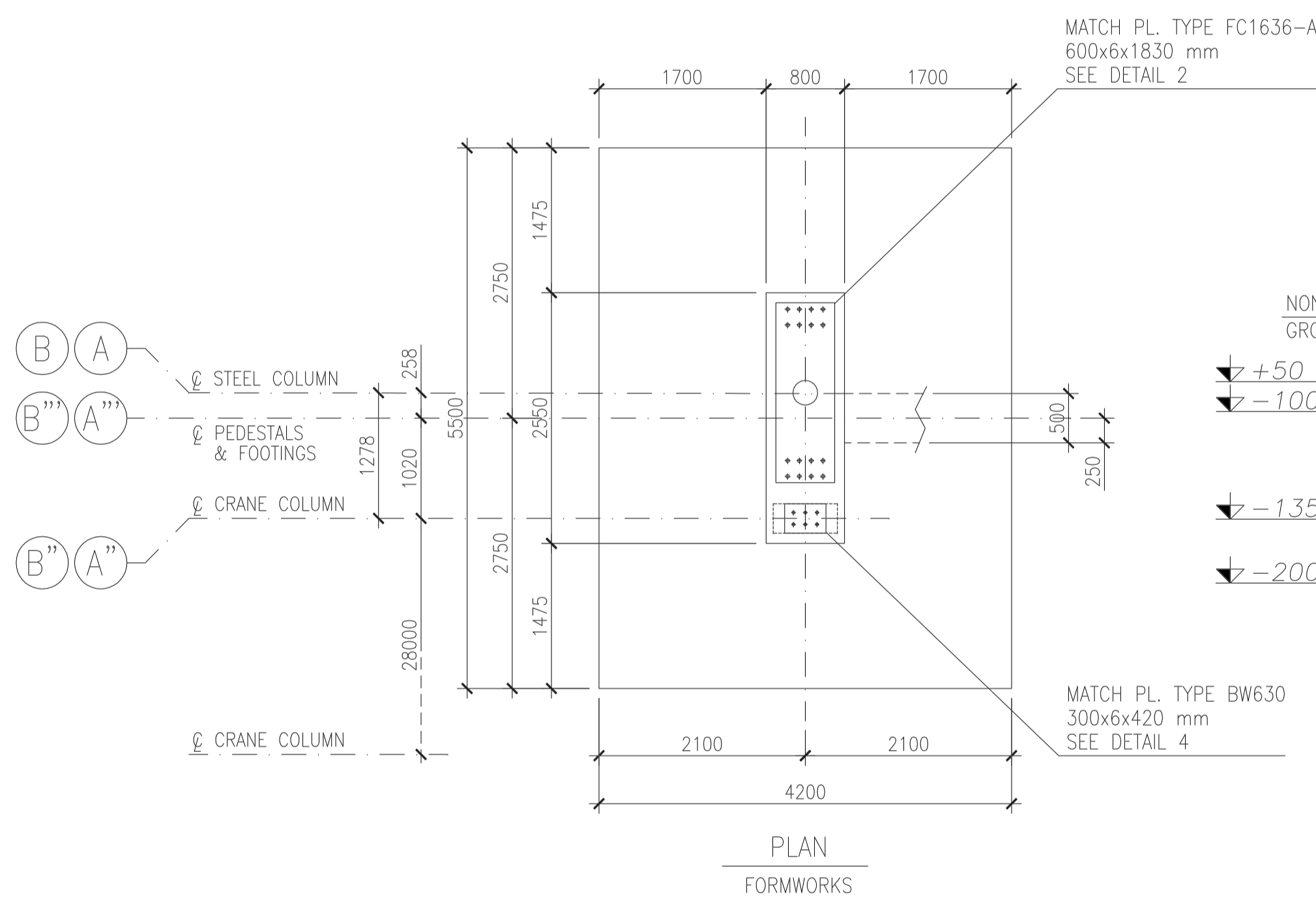
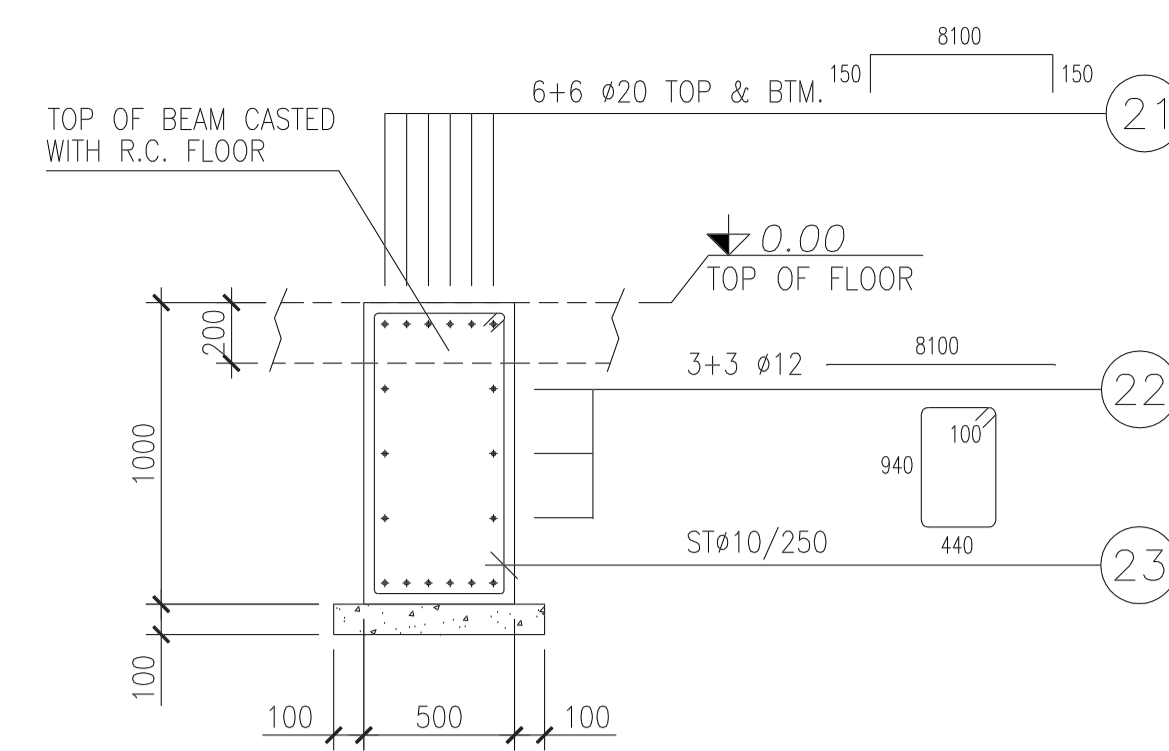


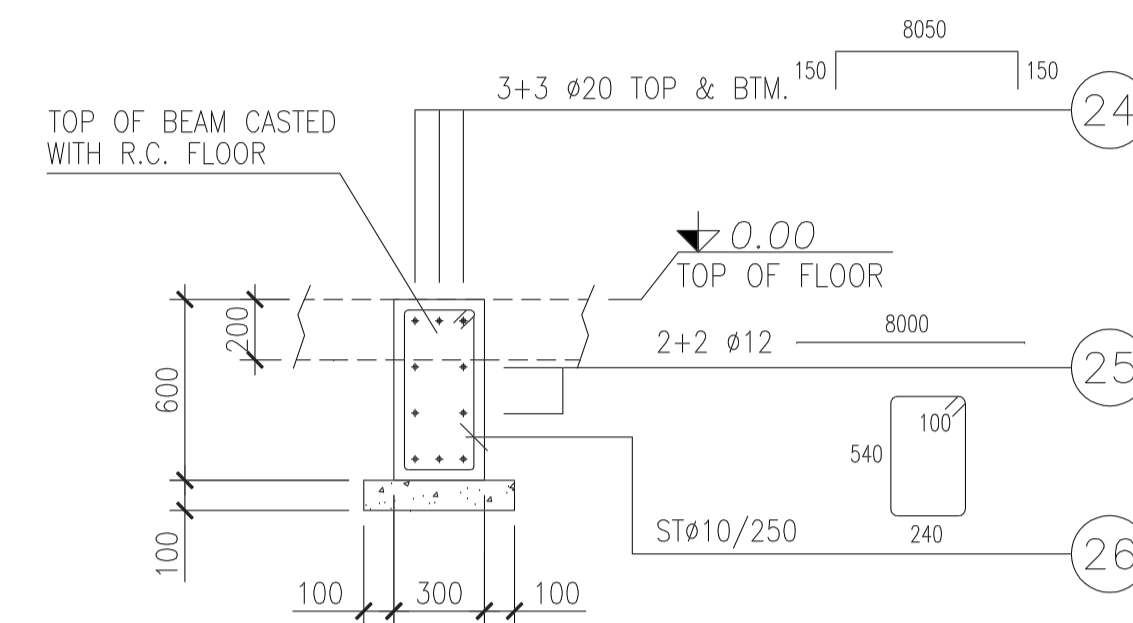
FOOTING TYPE "3"
1:50
VALID FOR ALGN. C/9-19
NO. 10 REQ.D



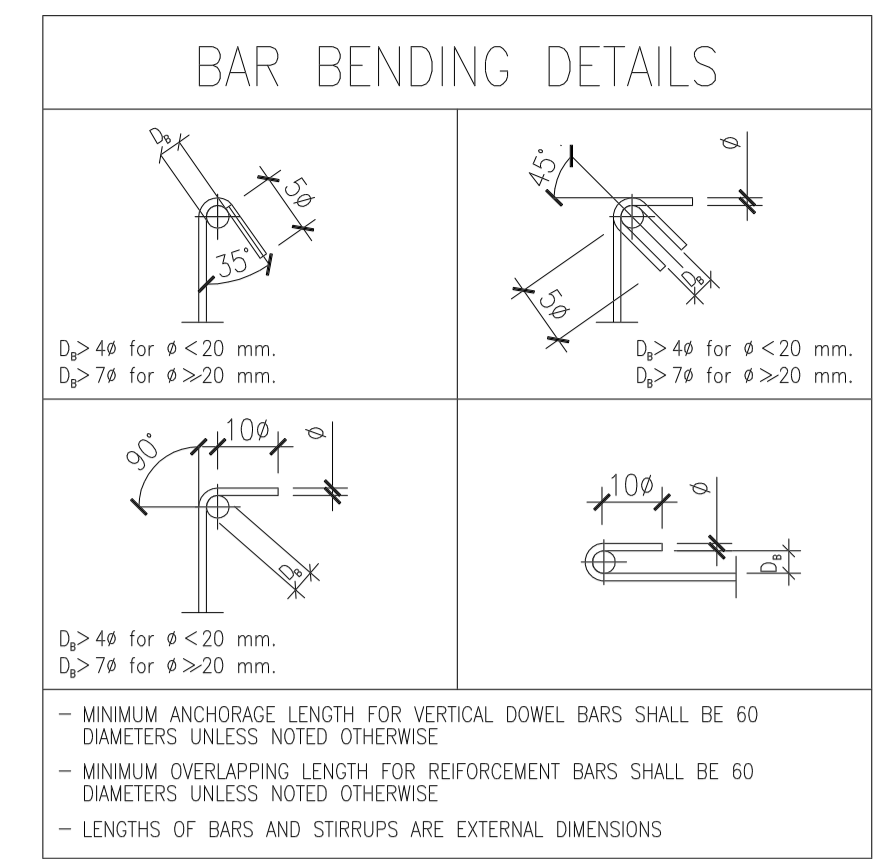
FOOTING TYPE "4"
1:50
VALID FOR ALGN. B/10-19
NO. 10 REQ.D



BEAM 500x1000
REINFORCEMENT
VALID FOR ALGN. A & B
NO. 10 REQ.D



BEAM 300x600
REINFORCEMENT
VALID FOR ALGN. C
NO. 3 REQ.D



BAR BENDING SCHEDULE

POS.	Ø	Ø	Ø	BAR DIMENSION	BAR LENGTH (m)	TOTAL BARS LENGTH (m)						
						Ø 8	Ø 10	Ø 12	Ø 16	Ø 20	Ø 24	
1	20	1248	550	4440	5.54						6914	
2	24	798	500	5440	6.44							5139
3	20	798	500	5440	6.44							5139
4	20	144		4300	4.00							576
5	24	76		5000	5.00							380
6	24	928	200	1900	2.30							2134
7	20	1084	200	1800	2.30							2493
8	12	342	740	2490	6.70			2291				
9	12	2052	120	120	0.98			2011				
10	20	224	550	4740	5.84							1308
11	20	24		4500	4.50							108
12	16	360	500	3440	4.44							1598
13	20	170	450	3440	4.34							738
14	16	170	450	3440	4.34							738
15	16	40		3000	3.00							120
16	20	20		3000	3.00							60
17	12	70	640	1200	3.96			277				
18	12	140	120	120	0.88			123				
19	20	520	550	4140	5.24							2725
20	20	60		3600	3.6							216
21	20	120	150	8100	8.40							1008
22	12	60		8100	8.10			486				
23	10	280	440	1000	2.96			829				
24	20	18	150	8050	8.35							150
25	12	12		8000	8.00			96				
26	10	84	240	540	1.76			148				
TOTAL LENGTH (m)							977	5284	2456	21435	7653	
TOTAL WEIGHT (kg)							602	4691	3877	52862	18873	

REV.	DATE	DESCRIPTION	DIS.	CONTR.	APPR.
2	25.07.09	REVISED REFERENCE ELEVATION		GD	AI
1	10.04.09	ISSUED FOR CONSTRUCTION		GD	AI
0	31.03.09	ISSUED FOR INFO		GD	AI

ZAMIL STEEL G3-3318 F02		ANCHOR BOLT DETAILS & REACTION	
ZAMIL STEEL G3-3318 F01		ANCHOR BOLT KEY PLAN	
DRAWING N.		REFERENCE DRAWING	
Structural consultant: Petromar Dott. Ing. ATTILIO IANNUZZI PhD 16 Lancia 1/16 - Tel. +39 099 510081 29100 Sarnano (PG) - e-mail: info@petromar.it			
TITLE		CLIENT APPROVAL	
AMBRIZ MAIN WORKSHOP FOUNDATIONS PLAN AT EL.+50			
FOOTINGS TYPE 1 & 2 - FORMWORKS & REINF.			
DATE	SCALE	DIS.	CONTR.
31.03.2009	1:250	GD	AI
DRAWING No		291401_1 Sh. 2/2	

LICIA 291401_2 - 20 250 - 25.07.2009