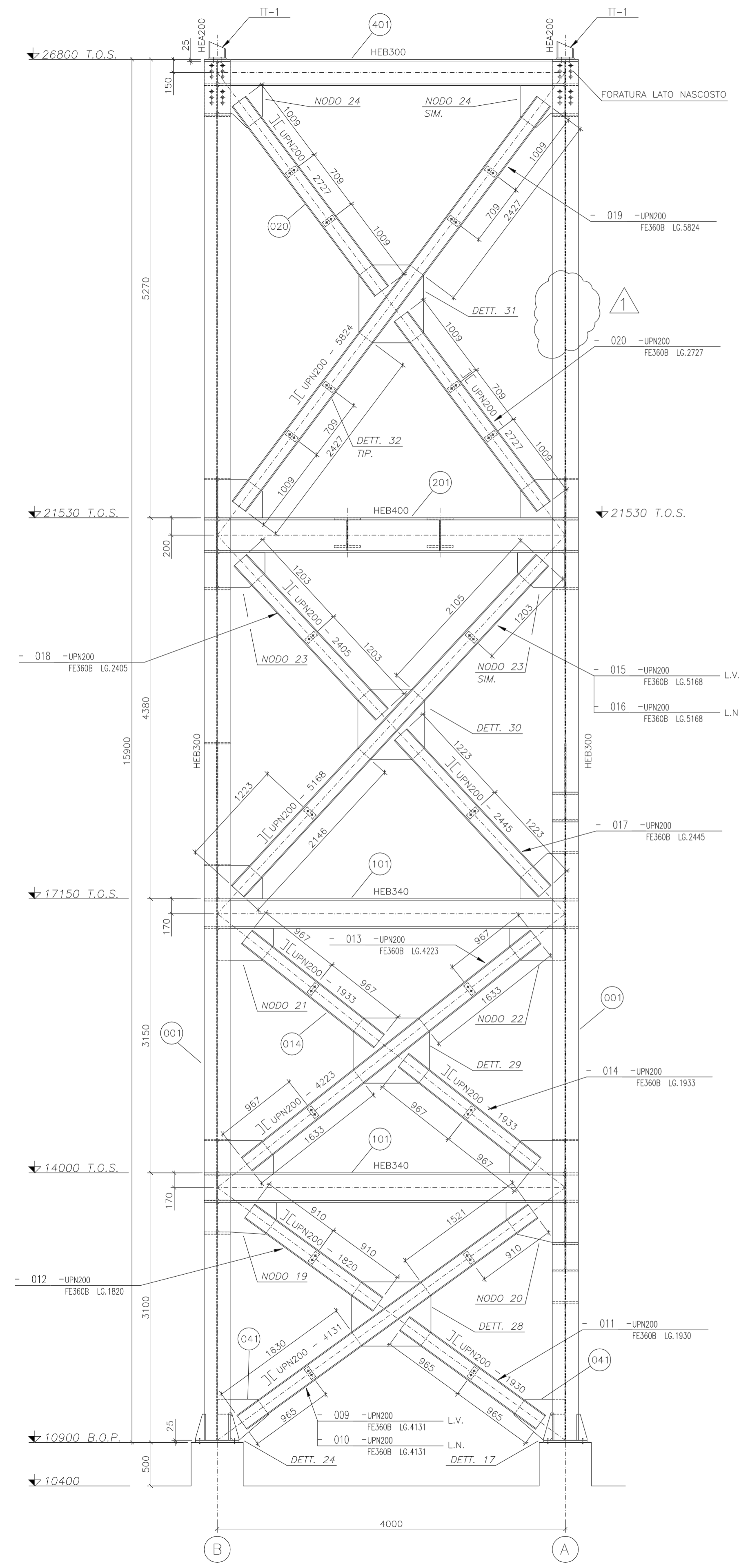
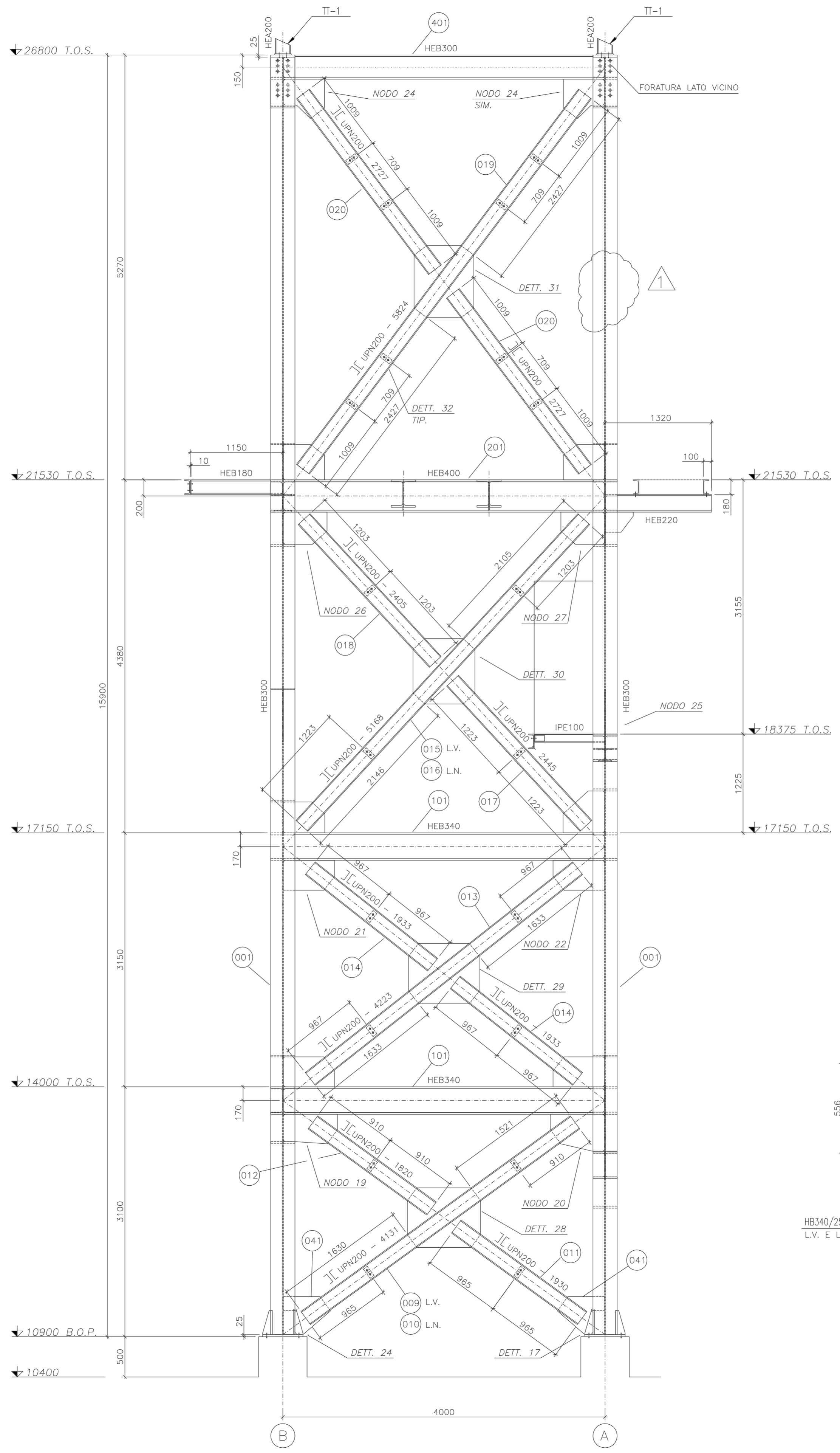


MARK	POS.	QUANT.	DENOMINATION	LENGTH	MATERIAL	WEIGHT Kg.	NOTES
TR-4	009	2	UPN200	4131.0	FE360B	209.03	
	010	2	UPN200	4131.0	FE360B	209.03	
	011	4	UPN200	1930.0	FE360B	195.32	
	012	4	UPN200	1820.0	FE360B	184.18	
	013	4	UPN200	4223.0	FE360B	427.37	
	014	8	UPN200	1933.0	FE360B	391.24	
	015	2	UPN200	5168.0	FE360B	261.50	
	016	2	UPN200	5168.0	FE360B	261.50	
	017	4	UPN200	2445.0	FE360B	247.43	
	018	4	UPN200	2405.0	FE360B	242.38	
	019	4	UPN200	5824.0	FE360B	589.99	
	020	8	UPN200	2727.0	FE360B	551.94	
	021	6	HEB340	481.0	FE360B	387.30	
	022	2	LAM. 260x15	848.0	FE360B	51.92	
	023	2	LAM. 332x15	556.0	FE360B	43.47	
	024	2	LAM. 200x15	200.0	FE360B	9.42	
	025	4	HEB400	564.0	FE360B	351.40	
	HB300/12	2	LAM. 144x12	260.0	FE360B	7.05	
	HB300/15	17	LAM. 144x15	260.0	FE360B	74.94	
	HB300/25	68	LAM. 144x25	260.0	FE360B	499.66	
	HB340/25	8	LAM. 142x25	295.0	FE360B	66.23	
	HB400/25	8	LAM. 142x25	350.0	FE360B	78.03	
						5340.94	
						0.00	

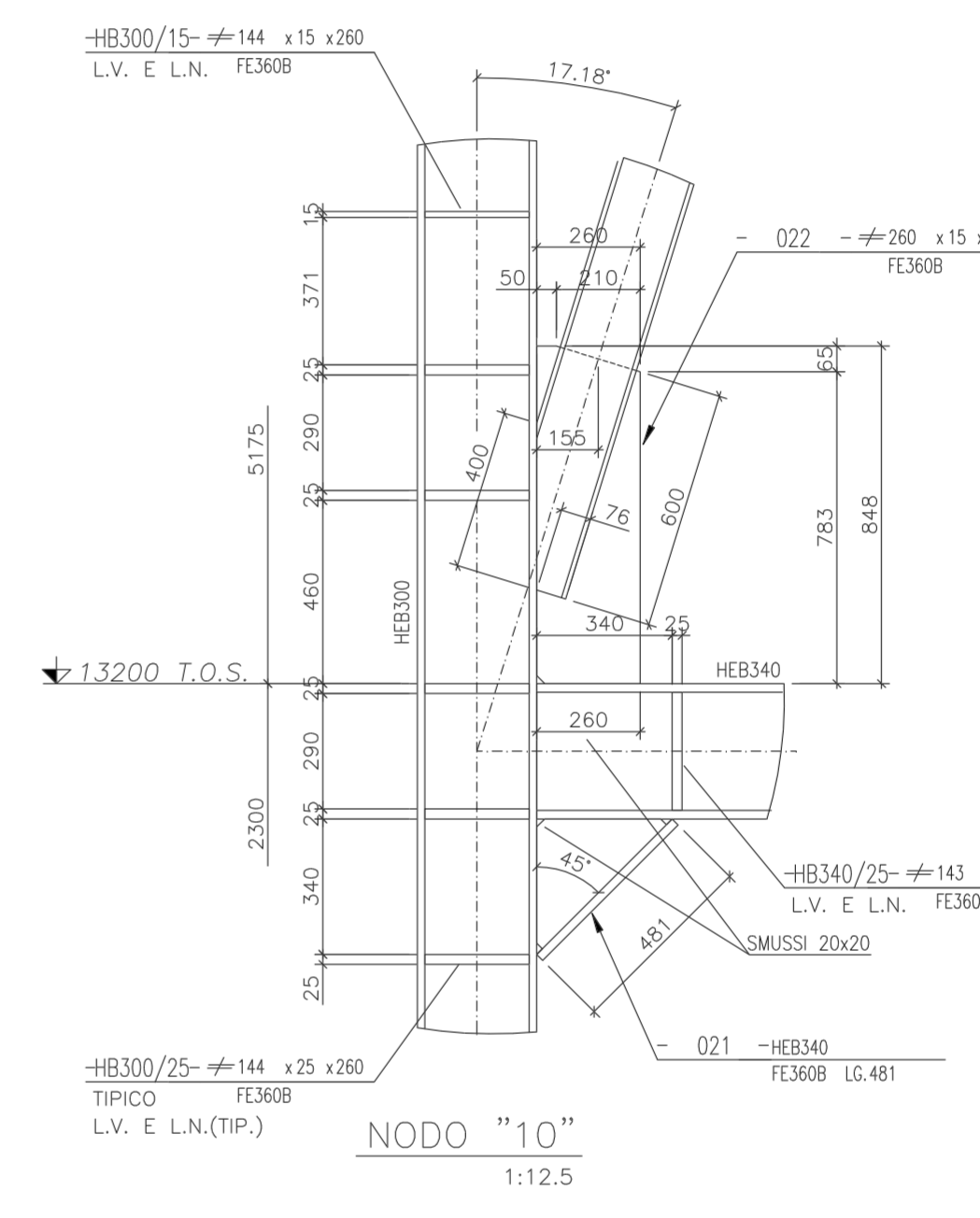
kg. 5341



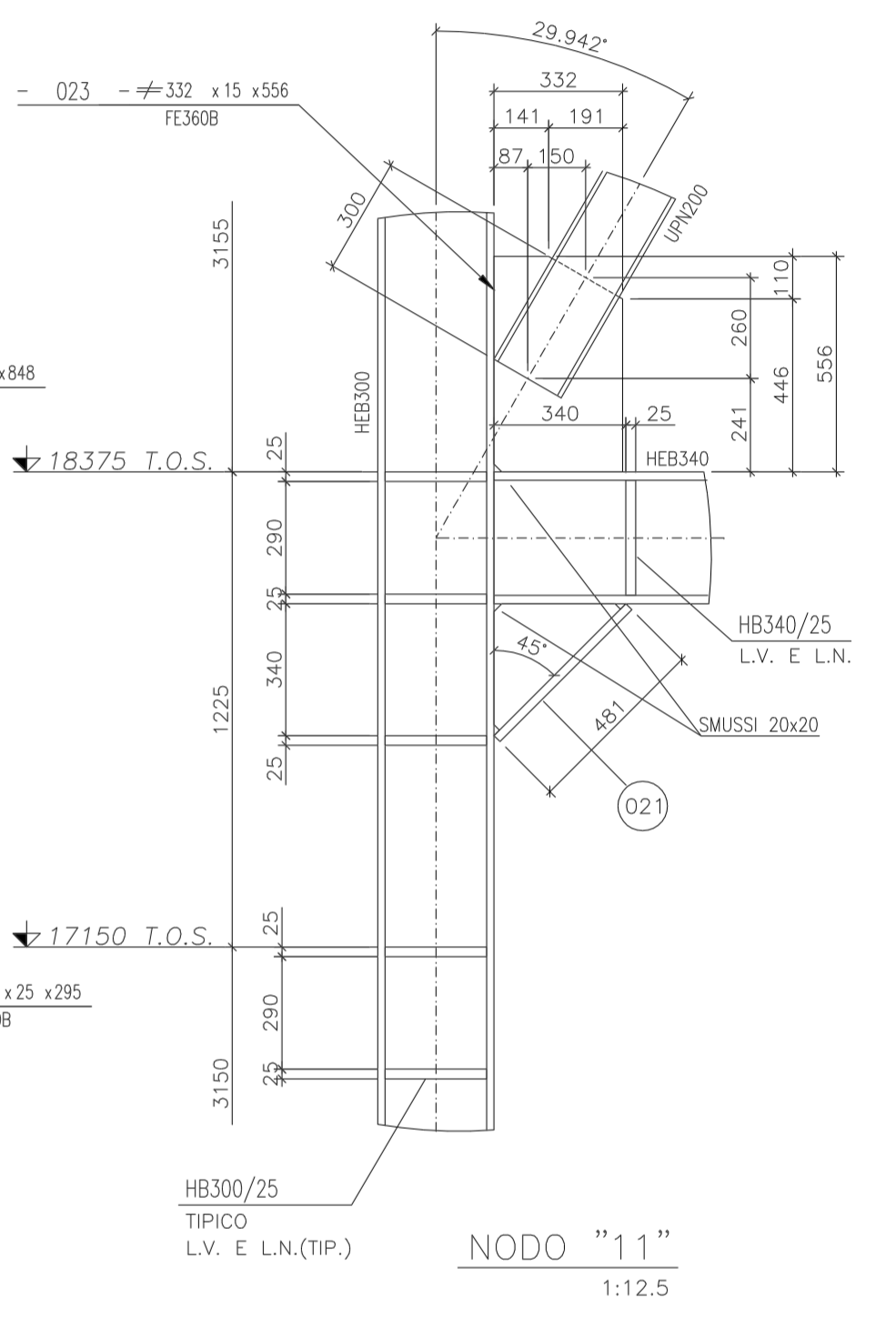
ALLINEAMENTO "1"
1:25



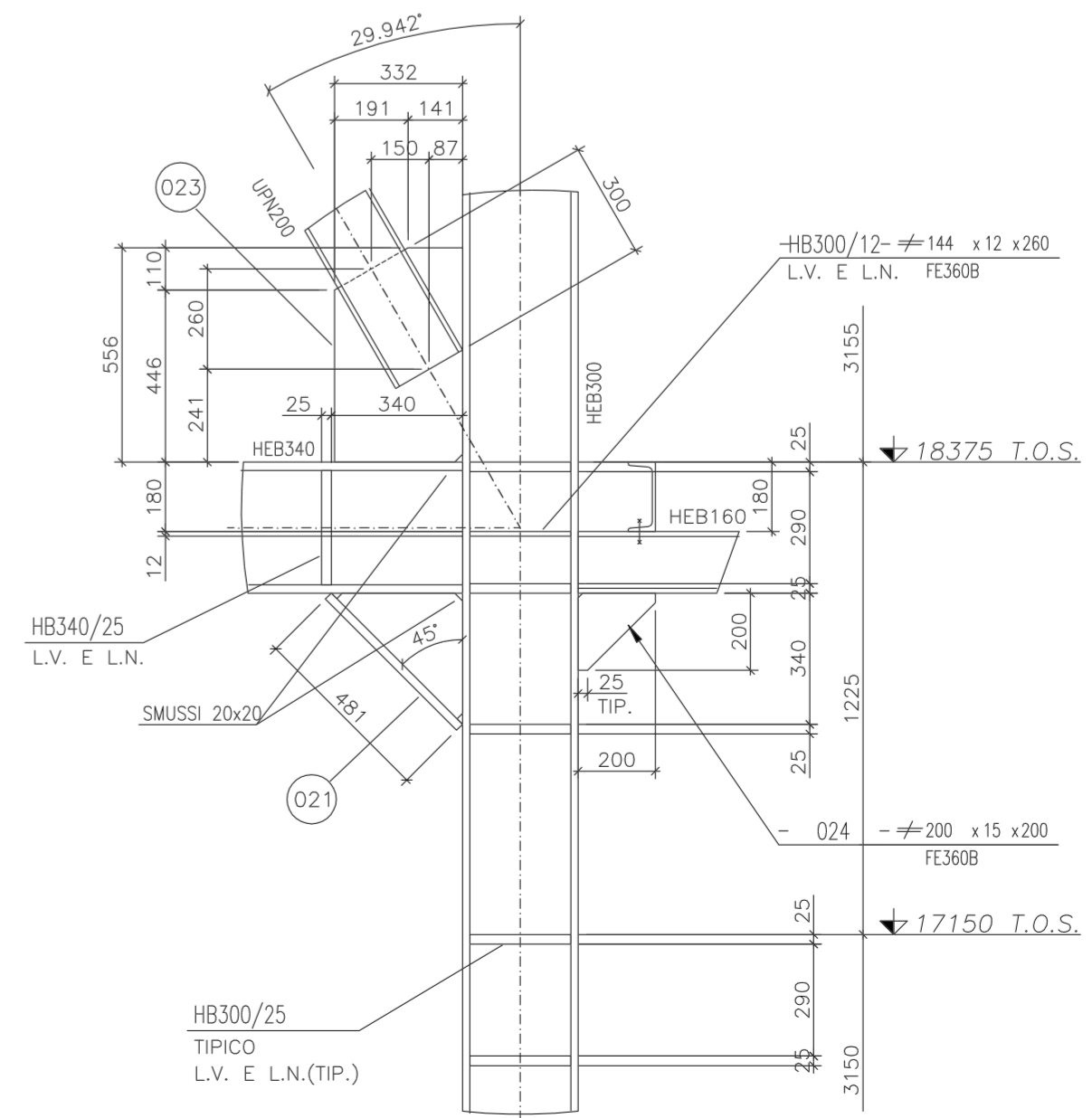
ALLINEAMENTO "2"
1:25



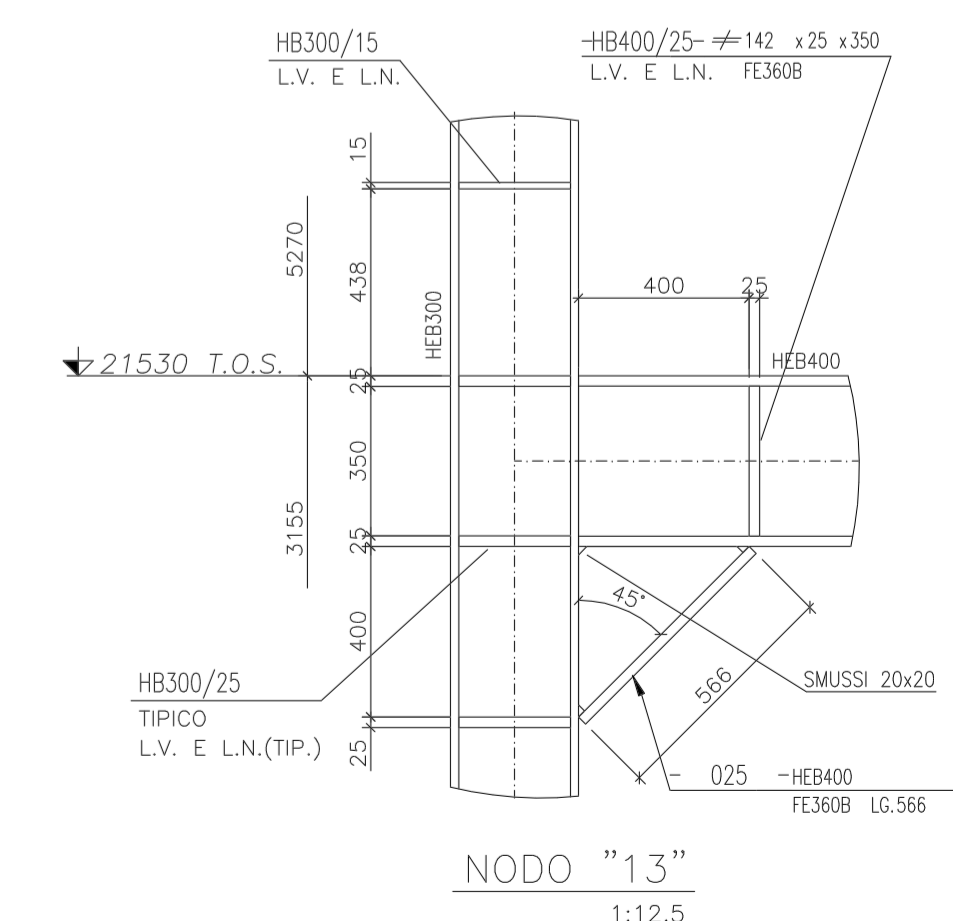
NODO "10"
1:12.5



NODO "11"
1:12.5



NODO "12"
1:12.5



NODO "13"
1:12.5

		IMPIANTO NUT COKE - AF01		INCARICO	
TITOLO LINEA DI TRASPORTO NUT COKE - AF01 TORRE-T4 ALLINEAMENTI 1 / 2 E NODI					
AUTORE	FIRMA	DATA	SCALA		
RV		09.03.01	1:25		
VISTO	AI	09.03.01	SOSTITUISCE IL N°	SOSTITUITO DAL N°	
FORMATO	DITTA	N° DIS. ORIGINALE	FOLIO	REV.	
AO		21144CEM	5	1	

LICIA_21144CEM_A0_25 - 09.03.2001