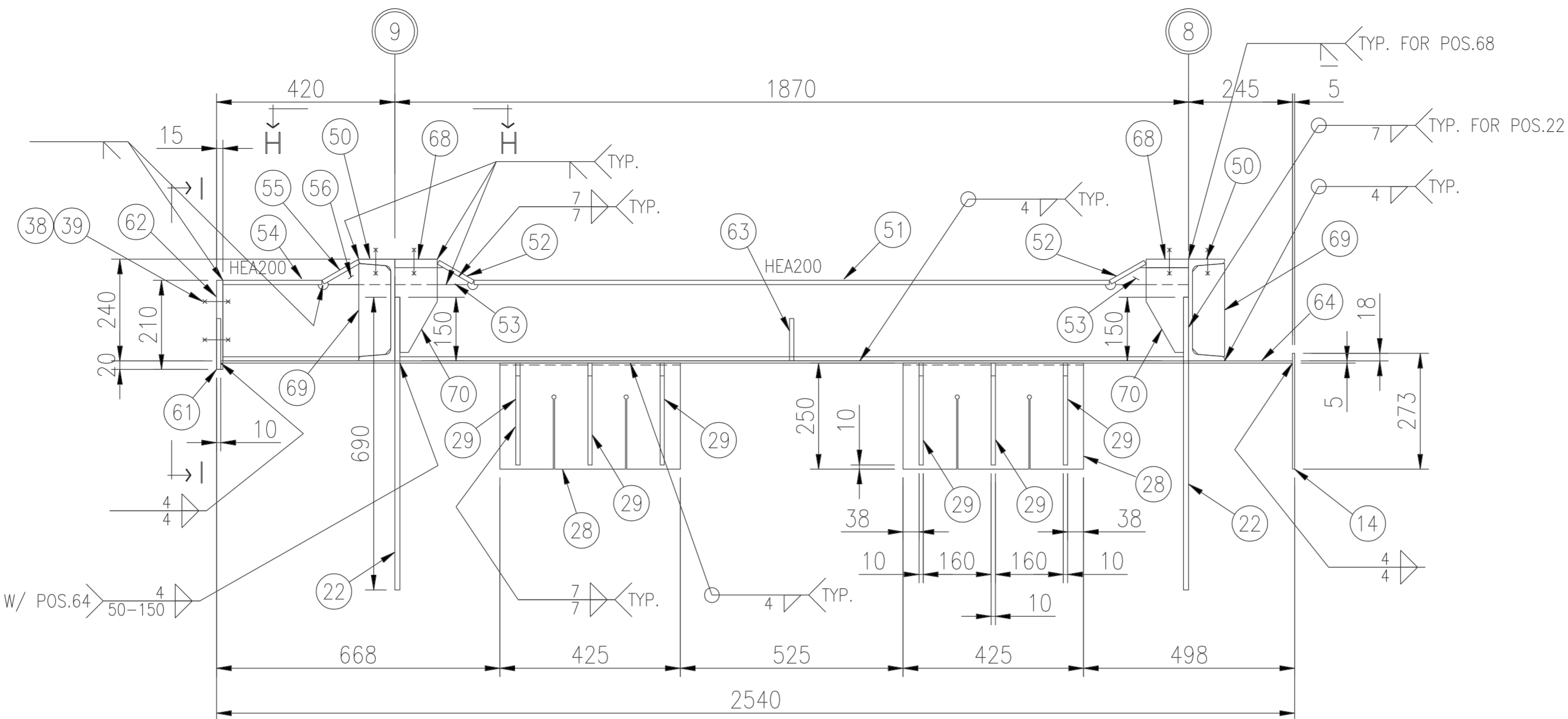
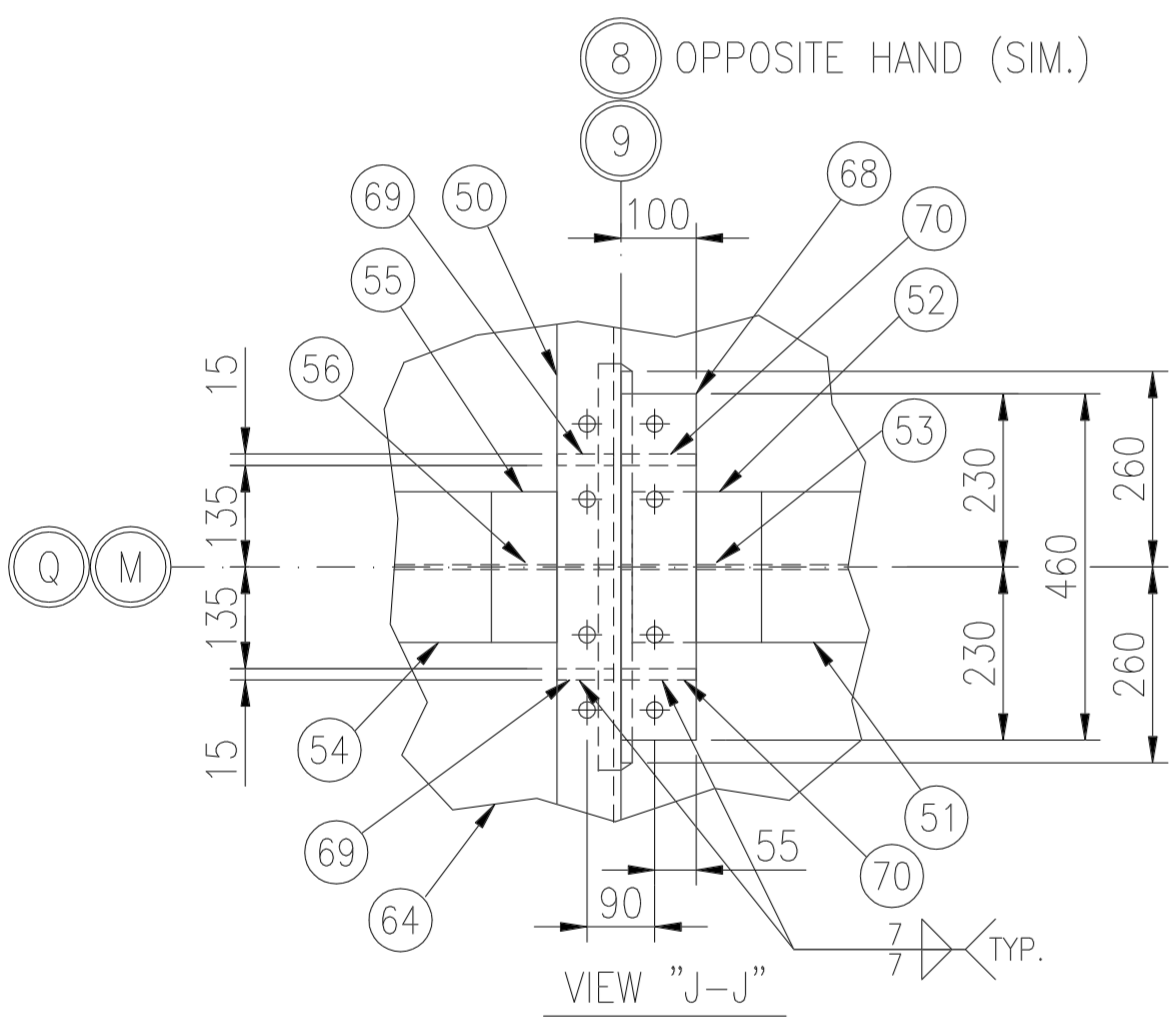
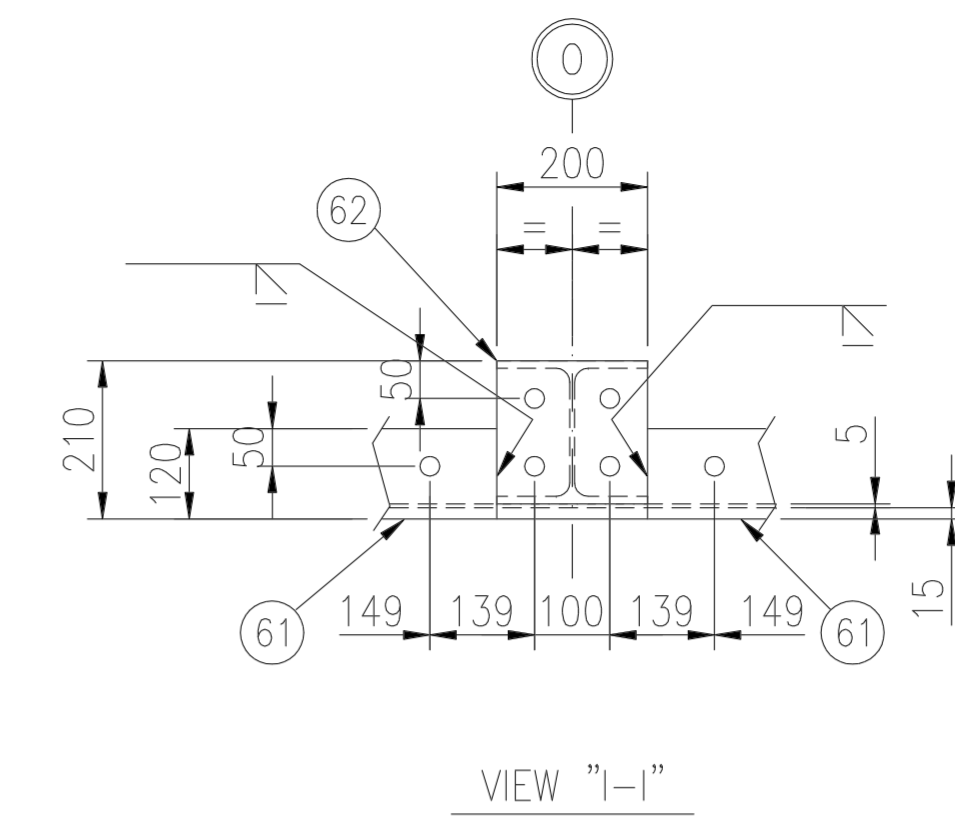


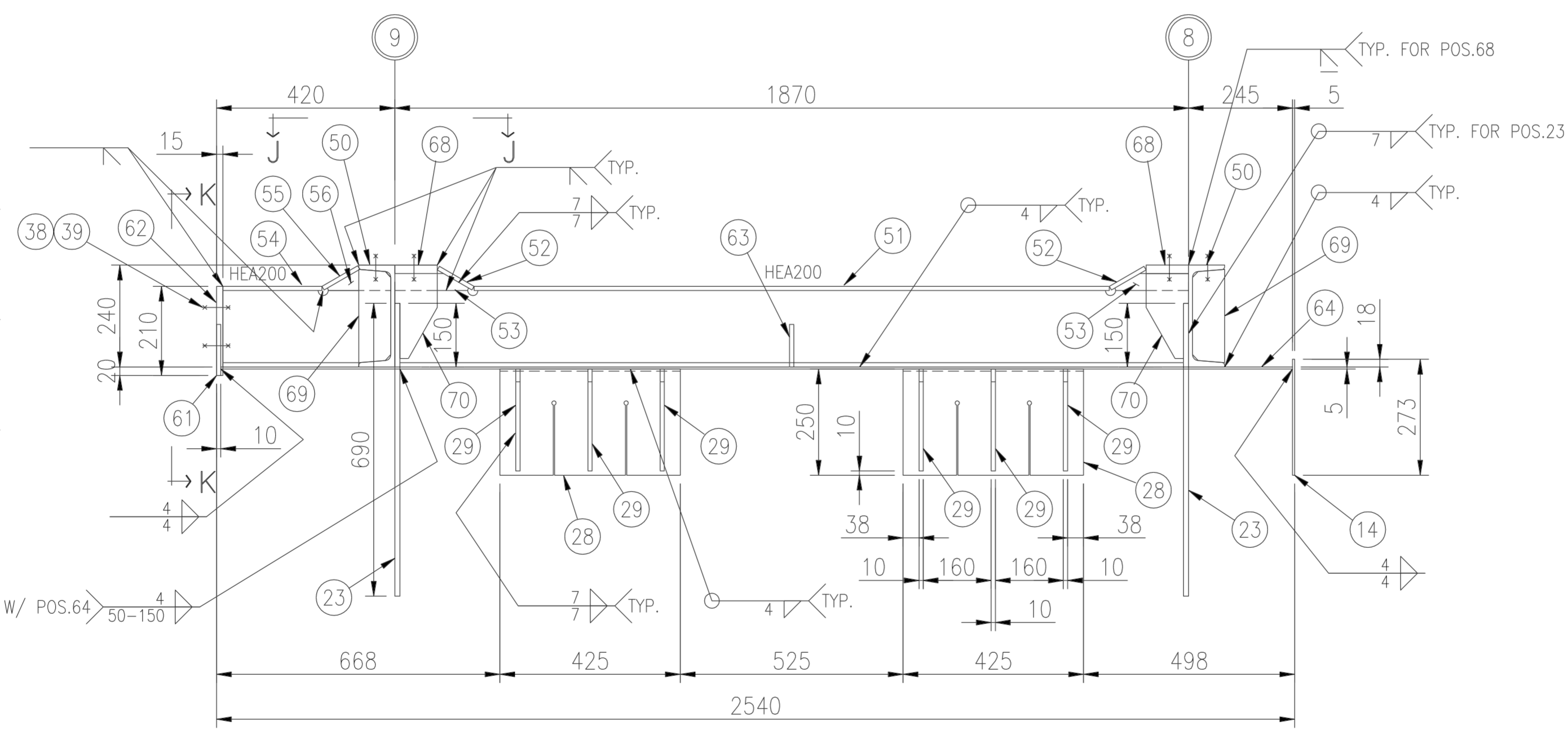
POS.22 W/ POS.64



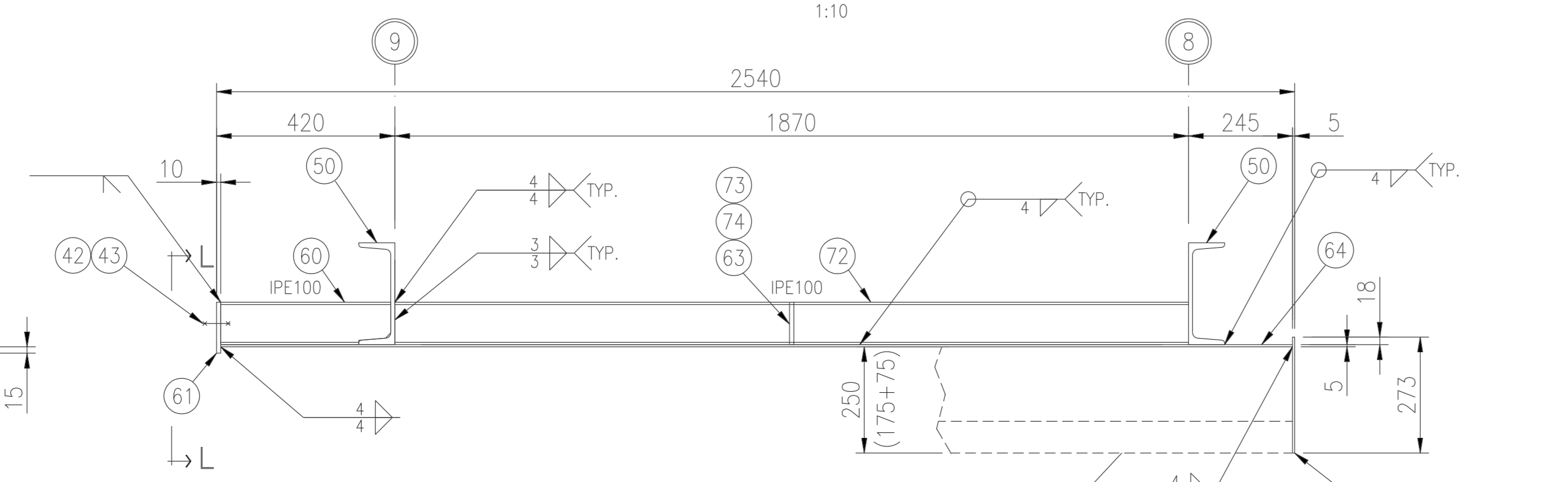
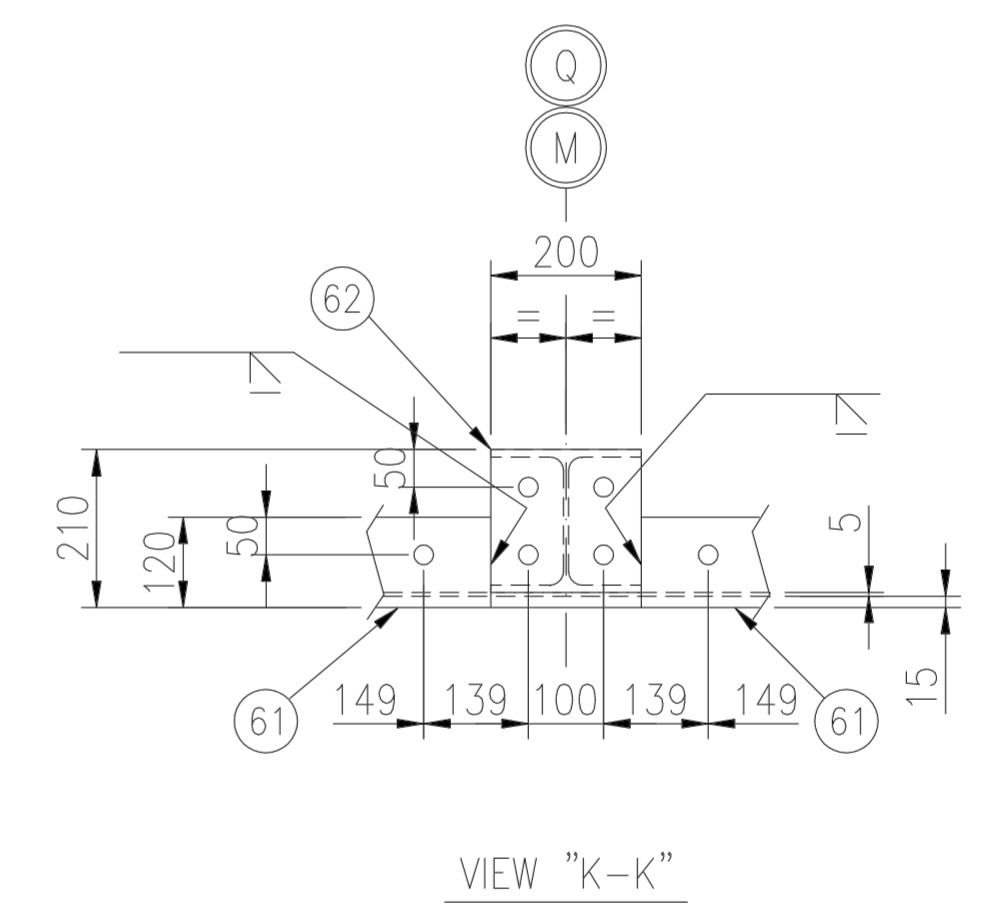
SECTION A-A
1:10



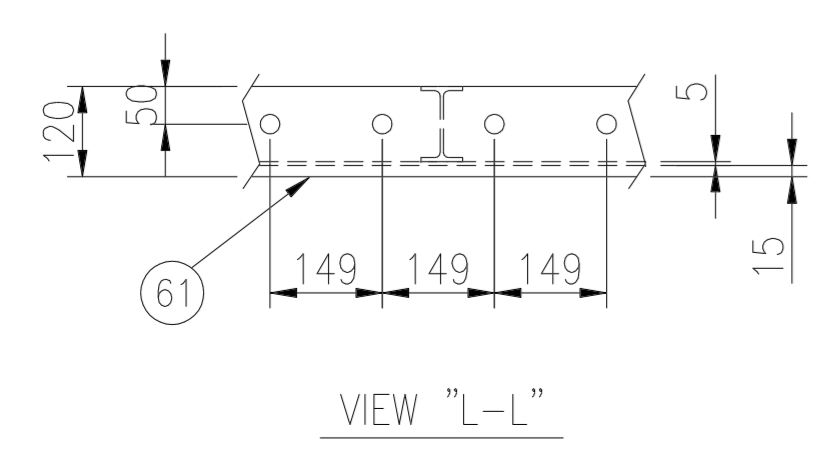
POS.23 W/ POS.64



SECTION B-B
1:10



SECTION C-C
1:10



 Technip KTI PROJ.: 30598 - INA HGU RIJEKA CLIENT: INA INDUSTRIJA NAFTE d.d.	VENDOR DOCUMENT REVIEW			
	<input type="checkbox"/> 1 REVISE AND RESUBMIT <input type="checkbox"/> 2 TO BE ISSUED AS FINAL PROVIDED COMMENTS ARE INCORPORATED <input type="checkbox"/> 3 NO COMMENT - FINAL ISSUE			
	<input type="checkbox"/> 4 FOR INFORMATION ONLY (INTERNAL ISSUE)			
	MR N°: 0131-02 PO N°: 30598/A0016		U.O.: TECHNIP KTI S.p.A. BY: _____ DATE: _____	

2	ISSUED FOR CONSTRUCTION	20.10.08	R.VITALBA	A.PALMISANO	A.QUERO
1	REVISED I.A.W. CLIENT REV.	25.08.08	R.VITALBA	A.PALMISANO	A.QUERO
0	ISSUED FOR APPROVAL	05.08.08	R.VITALBA	A.PALMISANO	A.QUERO
REV	DESCRIZIONE	DATA	DISEGNATO	CONTROLLATO	APPROVATO

CLIENTE : INA INDUSTRIJA NAFTE d.d.
 PROGETTO : 30598 - INA HGU RIJEKA
 LOCALITA' : RIJEKA

COMM 08/965	SERVICE :	 Technica impiantistica, manutenzione, ingegneria Technic plants, maintenance, engineering TARANTO (ITALY) www.tecnomec-engit	NUMERO DISEGNO	
ITEM E-020	E-020 CONVECTION SECTION		08965-A-002	
N° FABBR. 507	MARK E020-B - SECTIONS "A-A"÷"C-C"	FOGLIO 2 DI 3		
SCALE 1:25		FOGLIO 2 DI 3		