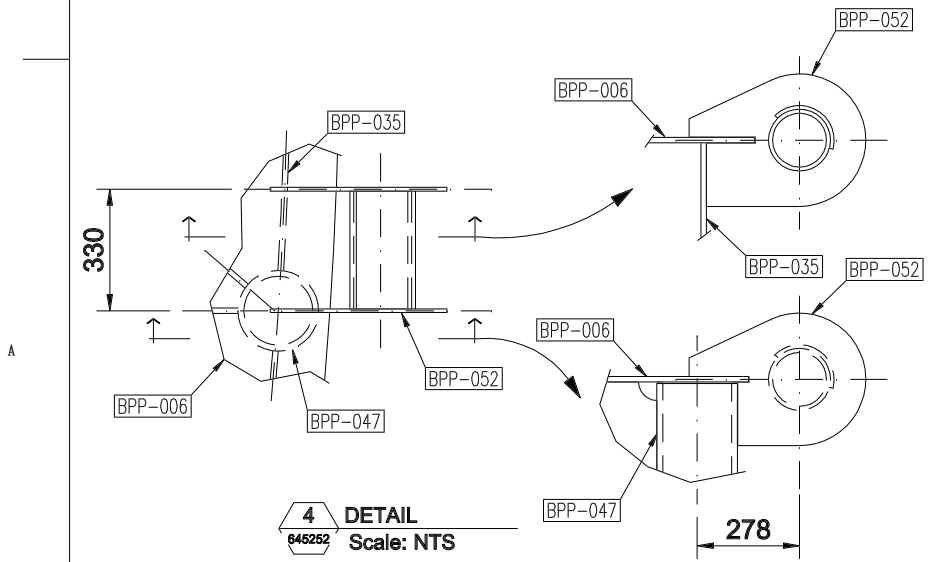
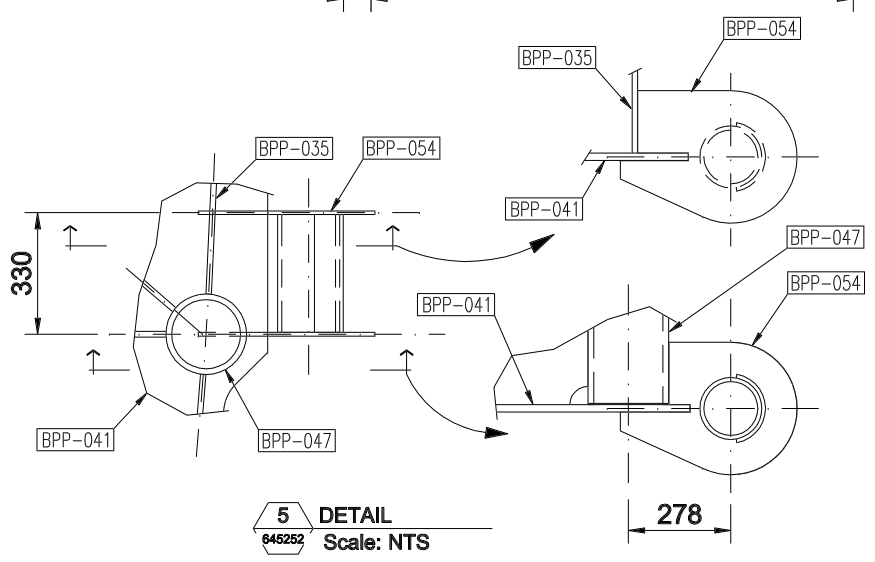


**X-X SECTION**  
Scale: NTS



**4 DETAIL**  
Scale: NTS



**5 DETAIL**  
Scale: NTS

**NOTES**

- 1 - ALL DIMENSIONS ARE IN MILLIMETRES U.N.O.
- 2 - ALL ELEVATIONS ARE REFERRED TO MEAN LOW WATER (M.L.W.) ± 0.00 m.
- 3 - FOR PLAN VIEW SEE DWGS NG-USN-UF-851-645250
- 4 - FOR WELDING MAPS SEE DWGS NG-USN-UF-851-645255

REFERENCE DRAWING	DRAWING NUMBER
PIPING PLATFORM	NG-USN-UF-816-640325 REV 2
PIPING PLATFORM DETAIL	NG-USN-UF-816-640326 REV 2
PIPING PLATFORM DETAIL	NG-USN-UF-816-640327 REV 2
PIPING PLATFORM DETAIL	NG-USN-UF-816-640328 REV 1
PIPING PLATFORM FENDERING SYSTEM	NG-USN-UF-816-640329 REV 1

Revision	Date	Status	Revision memo	Issued by	Checked by	Approved by
01	25-FEB-2010	AFC	Approved for construction	RVT	LONOKA	D.PENTA
00	15-FEB-2010	IFC	Issued for construction	RVT	LONOKA	D.PENTA
A	05-FEB-2010	IDC	Issue for Interdiscipline check	RVT	LONOKA	D.PENTA

**TOTAL E & P NIGERIA LIMITED**  
**USAN DEEPWATER DEVELOPMENT PROJECT**

This document is the property of TOTAL. It must not be stored, reproduced or disclosed to other without written authorization from the Company. This document has been generated by an Electronic Document Management System. When printed it is considered as a for information only copy. The controlled copy is the screen version and it is the holder's responsibility that he/she holds the latest valid version.

**SCNL YARD**  
**SYSTEM O - DEEPWATER BUOY**  
**SUBASSEMBLY SUB-200 DETAIL 3/6**

Doc Type :	DRW	Syst/US-Syst :	-	Discipline :	STR	App Class :	0	Electronic Filename	
COMPANY Document N°	<b>NG-USN-UF-851-645254</b>			REV :	<b>01</b>	Scale :	<b>NTS</b>		
Contractor Document N°	<b>NG-USN-UF-851-645254</b>			Size :	<b>A3</b>	Sheet :	<b>1 of 1</b>		