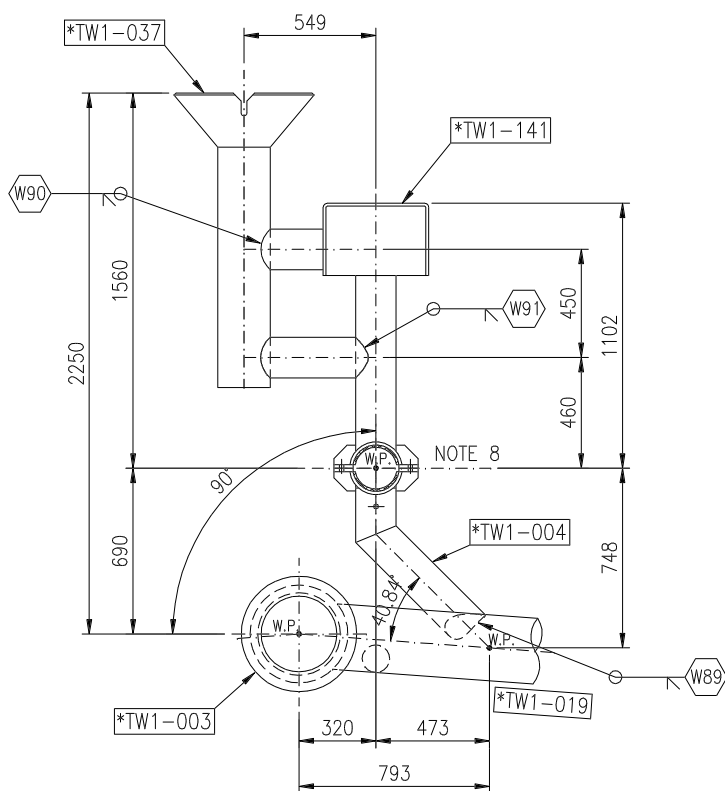
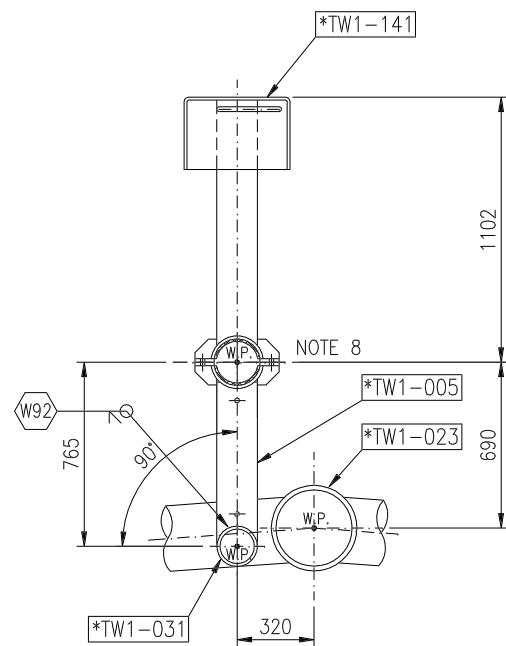


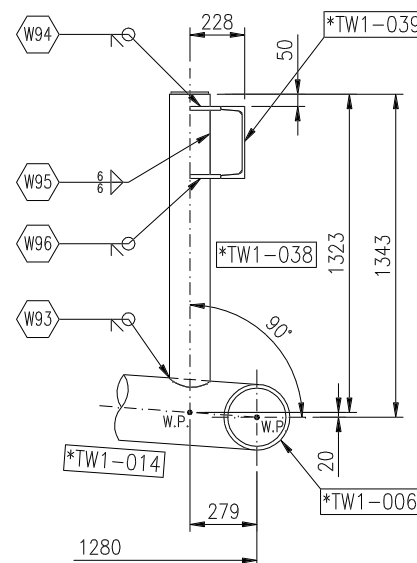
PLAN VIEW
 PIPING SUPPORT,
 ROV DOCKING PANEL & TRANSPONDER CARRIER



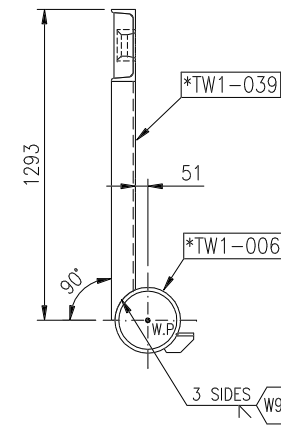
SECTION R-R
 SEE NOTE 9



SECTION S-S
 SEE NOTE 9



SECTION T-T



SECTION U-U

NOTES

- 1 - ALL DIMENSIONS ARE IN MILLIMETRES U.N.O.
- 2 - ALL ELEVATIONS ARE REFERRED TO MEAN LOW WATER (M.L.W.) ± 0.00 m.
- 3 - THE SYMBOL Wxx INDICATES WELDS TO BE PERFORMED DURING ERECTION
- 4 - *TW1-xxx = 1TW1-xxx, 2TW1-xxx
- 5 - 2 NO. REQD. MEANS 1 FOR 1TW1 & 1 FOR 2TW1
- 6 - ● VENT HOLE NEAR SIDE
- 7 - FABRICATOR TO INSTALL ELASTOMETRIC CHECK VALVES IN EACH HOLE TO PREVENT FREE CIRCULATION OF WATER INSIDE MEMBERS FOR "IN-PLACE" CONDITIONS
- 8 - CONTACT SURFACES BENEATH WASHERS/NUTS SHALL BE LEFT BARE (OR PAINT REMOVED, IF ANY) FOR BOLTED CONNECTIONS TO GUARANTEE ELECTRICAL CONTINUITY
- 9 - M16 BOLTS TO BE PRE-TENSIONED TO 75 kN
- 10 - WELD NUMBER: W89 - W97

Rev.	Date	DESIGNATION	Initiator	Reviewed by	Approved by
0	20-02-07	ISSUED FOR CONSTRUCTION	M.A.	L.O.	C.A.

TOTAL UPSTREAM NIGERIA LIMITED
NIGERIA - OML 130
AKPO Field Development Project

UMBILICALS, FLOWLINES AND RISERS (UFR)
 WATER INJECTION ITA TYPE TW1
 ASSEMBLY - PIPING SUPPORT,
 ROV DOCKING PANEL & TRANSPONDER CARRIER

SCNL : Doc. ref.	NG50-3-202-FAB-DW-AB-76-2471	Revision	Status	Class	Scale	PAGE
		0	IFC	-	-	6/12

This drawing and the design it covers are the property of SAIPEM SCNL. They are merely loaned and on the borrower's express agreement that they will not be reproduced, copied, loaned, exhibited, nor used except in the limited way and private use permitted by any written consent given by the lender to the borrower.