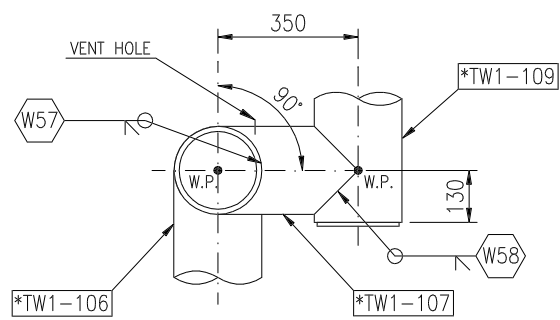
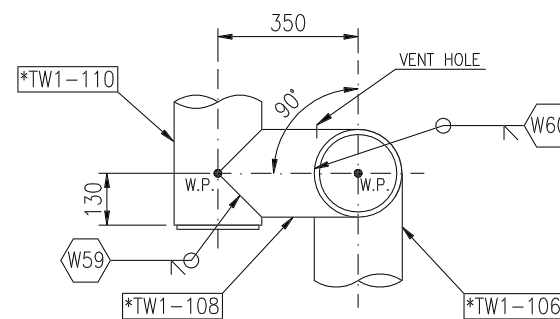


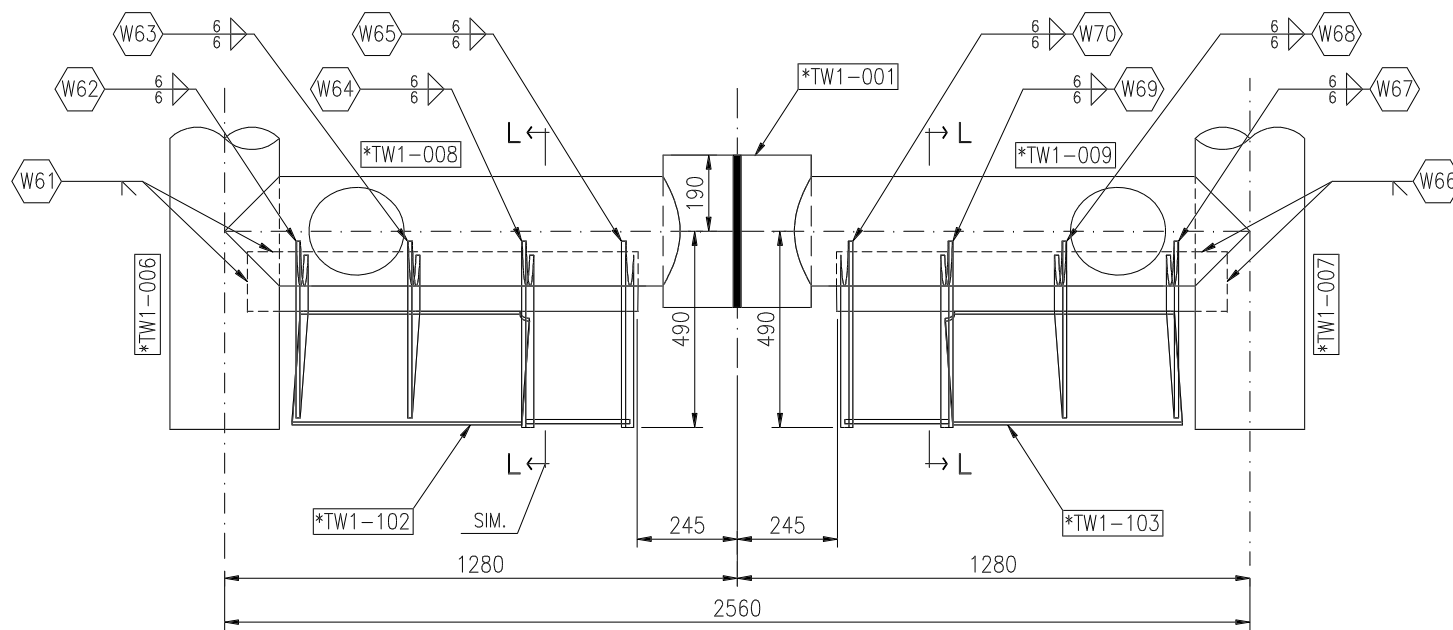
SECTION E-E



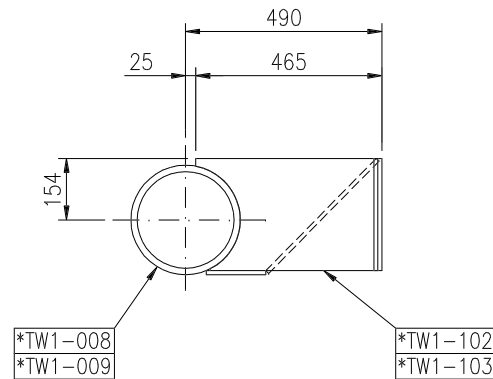
SECTION I-I



SECTION J-J



SECTION K-K



SECTION L-L

NOTES

- 1 - ALL DIMENSIONS ARE IN MILLIMETRES U.N.O.
- 2 - ALL ELEVATIONS ARE REFERRED TO MEAN LOW WATER (M.L.W.) ± 0.00 m.
- 3 - THE SYMBOL W_{xx} INDICATES WELDS TO BE PERFORMED DURING ERECTION
- 4 - *TW1-xxx = 1TW1-xxx, 2TW1-xxx
- 5 - 2 NO. REQ. MEANS 1 FOR 1TW1 & 1 FOR 2TW1
- 6 - ● VENT HOLE NEAR SIDE
- 7 - FABRICATOR TO INSTALL ELASTOMETRIC CHECK VALVES IN EACH HOLE TO PREVENT FREE CIRCULATION OF WATER INSIDE MEMBERS FOR "IN-PLACE" CONDITIONS
- 8 - CONTACT SURFACES BENEATH WASHERS/NUTS SHALL BE LEFT BARE (OR PAINT REMOVED, IF ANY) FOR BOLTED CONNECTIONS TO GUARANTEE ELECTRICAL CONTINUITY
- 9 - WELD NUMBER: W55 - W70

Rev.	Date	DESIGNATION	Initiator	Reviewed by	Approved by
0	20-02-07	ISSUED FOR CONSTRUCTION	M.A.	L.O.	C.A.

WARNING: This document as printed may not be the latest version. Please refer to the electronic file in the MDR tools

 Seibos Contracting Nigeria	TOTAL UPSTREAM NIGERIA LIMITED NIGERIA - OML 130 AKPO Field Development Project	
	UMBILICALS, FLOWLINES AND RISERS (UFR) WATER INJECTION ITA TYPE TW1 ASSEMBLY-MAIN STRUCTURE-SECTIONS E-E, I-I ÷ L-L	
SCNL : Doc. ref. NG50-3-202-FAB-DW-AB-76-2471	Revision 0 Status IFC Class - Scale - PAGE 3/12	

This drawing and the design it covers are the property of SAIPEM SCNL. They are merely loaned and on the borrower's express agreement that they will not be reproduced, copied, loaned, exhibited, nor used except in the limited way and private use permitted by any written consent given by the lender to the borrower.