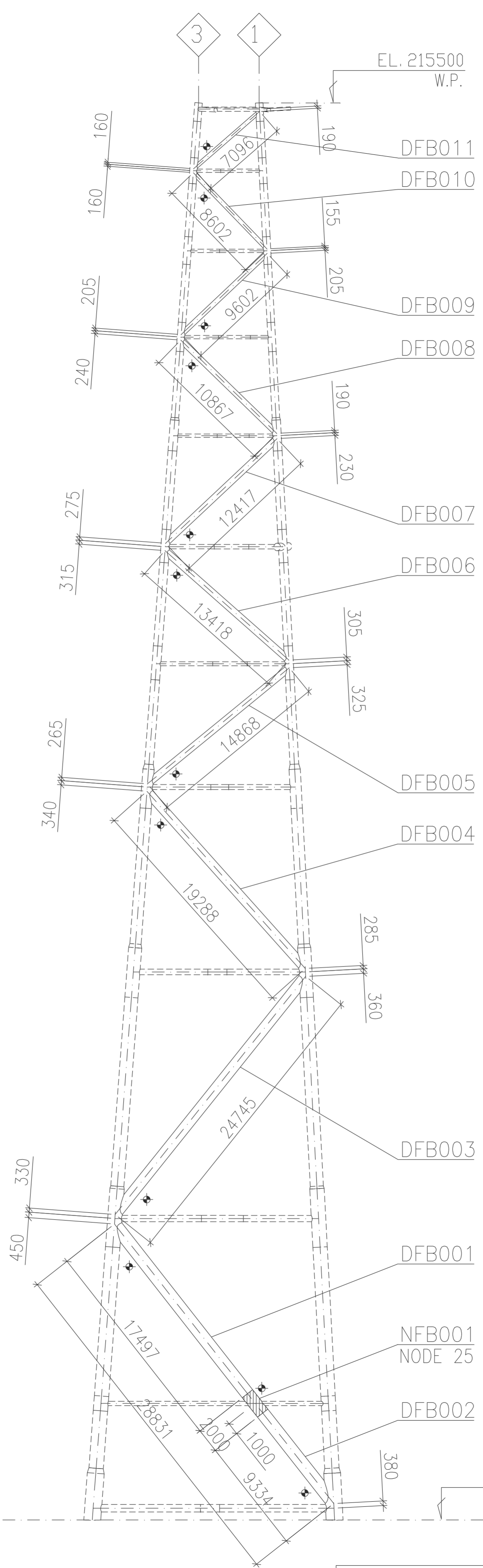
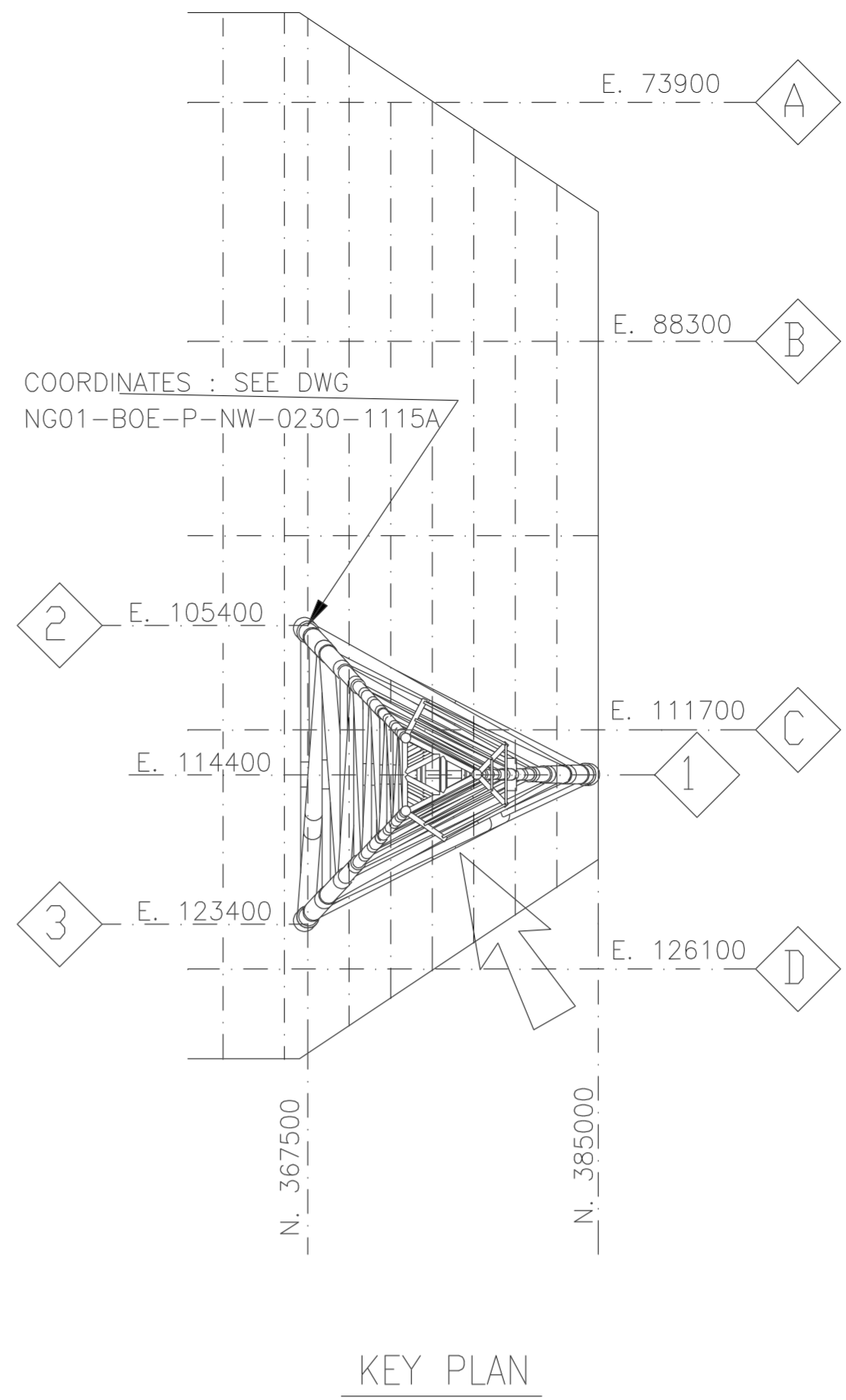


EXTERNAL VIEW



NOTE : - HORIZONTAL BRACINGS EL.101.500M (LEVEL K) TO BE REMOVED AFTER INSTALLATION



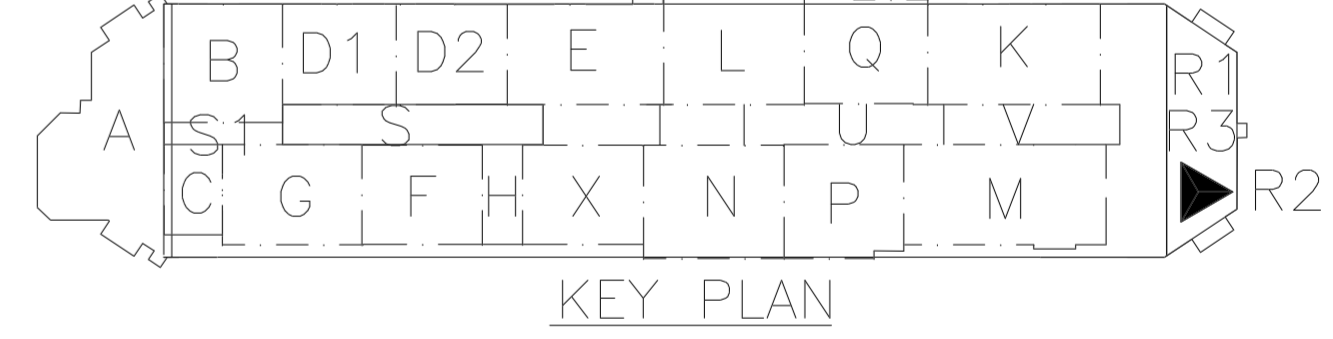
KEY PLAN

MATERIAL LIST									
ITEMS	QTY	DESIGNATION	MATERIAL	L.A.V UNIT	L.A.V TOTAL	WEIGHT UNIT	WEIGHT TOTAL	CAT	TYP
001	1	1371.6x50.8 (54"x2.000)	BS7191355EMZ	3.800	3.800	1654.71	6288	E	II
002	1	1168.4x38.1 (46"x1.500)	BS7191355EMZ	4.750	4.750	1062.03	5045	A	II
003	1	1168.4x31.8 (46"x1.250)	BS7191355EMZ	1.200	1.200	890.00	1068	A	II
004	1	1066.8x34.9 (42"x1.375)	BS7191355EMZ	4.050	4.050	888.75	3599	A	II
005	1	1066.8x25.4 (42"x1.000)	BS7191355EMZ	2.000	2.000	652.33	1305	A	II
006	1	91.4x31.8 (36"x1.250)	BS7191355EMZ	3.175	3.175	691.12	2194	A	II
007	1	711.2x31.8 (28"x1.250)	BS7191355EMZ	2.750	2.750	532.01	1463	A	II
008	1	711.2x31.8 (28"x1.250)	BS7191355EMZ	2.500	2.500	532.01	1330	A	II
009	1	609.6x31.8 (24"x1.250)	BS7191355EMZ	2.375	2.375	452.46	1075	A	II
010	1	609.6x31.8 (24"x1.250)	BS7191355EMZ	2.250	2.250	452.46	1018	A	II
011	1	609.6x31.8 (24"x1.250)	BS7191355EMZ	2.100	2.100	452.46	950	A	II
012	1	609.6x31.8 (24"x1.250)	BS7191355EMZ	1.500	1.500	452.46	679	A	II
013	1	711.2x50.8 (28"x2.000)	BS7191355EMZ	2.700	2.700	827.35	2234	E	II
014	1	1168.4x31.8 (46"x1.250)	BS7191355EM	12.102	12.102	890.00	10771	B	II
015	1	1168.4x31.8 (46"x1.250)	BS7191355EM	4.661	4.661	890.00	4148	B	II
016	1	1066.8x25.4 (42"x1.000)	BS7191355EM	15.333	15.333	652.33	10002	B	II
017	1	91.4x31.8 (36"x1.250)	BS7191355EM	11.022	11.022	420.64	4636	B	II
018	1	711.2x31.8 (28"x1.250)	BS7191355EM	6.862	6.862	272.22	1868	B	II
019	1	711.2x31.8 (28"x1.250)	BS7191355EM	6.767	6.767	272.22	1842	B	II
020	1	711.2x31.8 (28"x1.250)	BS7191355EM	6.391	6.391	272.22	1740	B	II
021	1	609.6x31.8 (24"x1.250)	BS7191355EM	5.361	5.361	186.95	1002	B	II
022	1	609.6x31.8 (24"x1.250)	BS7191355EM	4.713	4.713	186.95	881	B	II
023	1	609.6x31.8 (24"x1.250)	BS7191355EM	4.312	4.312	186.95	806	B	II
024	1	609.6x31.8 (24"x1.250)	BS7191355EM	2.960	2.960	186.95	553	B	II
025	1	1066.8x2.7 (42"x0.500)	BS7191355EM	17.149	17.149	330.14	5662	B	II
026	1	1066.8x2.7 (42"x0.500)	BS7191355EM	8.583	8.583	330.14	2834	B	II
027	1	91.4x2.7 (36"x0.500)	BS7191355EM	23.689	23.689	282.41	6690	B	II
028	1	762.0x2.7 (30"x0.500)	BS7191355EM	18.337	18.337	234.68	4303	B	II
029	1	558.8x2.7 (22"x0.500)	BS7191355EM	14.095	14.095	171.04	2411	B	II
030	1	558.8x2.7 (22"x0.500)	BS7191355EM	12.828	12.828	171.04	2194	B	II
031	1	508.0x2.7 (20"x0.500)	BS7191355EM	11.741	11.741	155.13	1821	B	II
032	1	457.2x2.7 (18"x0.500)	BS7191355EM	10.199	10.199	139.22	1420	B	II
033	1	406.4x2.7 (16"x0.500)	API SL X52	8.967	8.967	123.31	1106	B	II
034	1	355.6x1.1 (14"x0.438)	API SL X52	7.891	7.891	94.55	746	B	II
035	1	323.8x 9.5 (12"x0.375)	API SL X52	6.403	6.403	73.84	473	B	II
036	1	CDNE 40 THK	BS7191355EM			507.81	508	B	II
037	1	CDNE 30 THK	BS7191355EM			168.38	168	B	II
038	1	CDNE 25 THK	BS7191355EM			203.28	203	B	II
039	1	CDNE 25 THK	BS7191355EM			187.16	187	B	II
040	1	CDNE 20 THK	BS7191355EM			66.10	66	B	II
TOTAL WEIGHT =						97290	KG		

- NOTES:
- 1) ALL DIMENSIONS ARE IN MILLIMETRES U.N.O.
 - 2) ORIENTATION MARK
 - 3) MARKS: NFB001, NF1001-NF1012, CF1001-CF1011, DFB001-DFB011, OF1001-OF1005

REFERENCE DWGS:

- CONTRACTOR (Saipem SA): T122010-238-NRP-99.37-60111 REV.0
- WELDS: T122010-WS5-SNL-IT-MR-60111-W1
- ASSEMBLY: -



KEY PLAN



CONTRACTING NIG. LTD

Esso EXPLORATION & PRODUCTION NIGERIA LTD. (OPL 209)

0	ISSUED FOR	MA	AI	20.09.03	
REV	DESCRIZIONE - DESCRIPTION	ESEG. PREP'D	CONTR. CHK'D	APPR. APPR'D	DATA DATE
TITOLO - TITLE		MODULE R2 - FLARE TOWER FLARE - MAIN STRUCTURE MARKS ELEVATION - ROW 2			
T122010-WS5-SNL-IT-MR-60111		SCALA SCALE	FORMATO SIZE	TAVOLA SHEET	
		NTS	A1+	1/33	

SOSTITUISCE IL - REPLACES SOSTITUITO DA - REPLACED BY
 IL PRESENTE DISEGNO E' PROPRIETA' DI SAIPEM CONTRACTING NIG.LTD - A TERMINE DI LEGGE OGNI DIRITTO E' RISERVATO
 THIS DOCUMENT IS THE PROPERTY OF SAIPEM CONTRACTING NIG.LTD - ALL RIGHTS ARE RESERVED ACCORDING TO LAW

MR-60111_I.O.-A1+-200 - 20.09.2003