

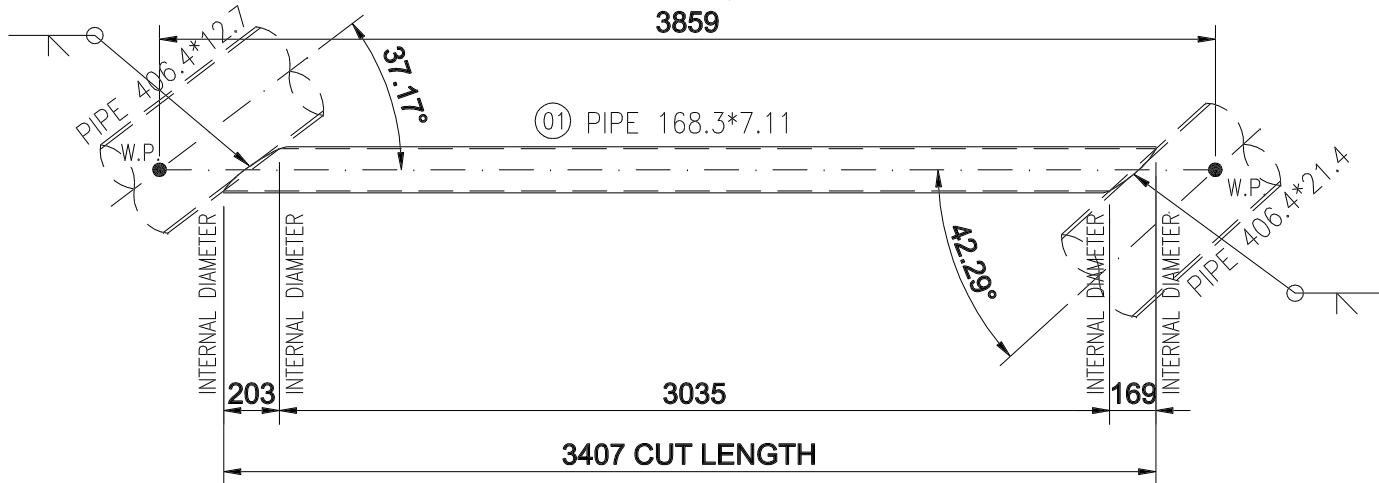
This drawing and the design it covers are the property of PETROMAR. They are merely loaned and on the borrower's express agreement that they will not be reproduced, copied, loaned, exhibited, nor used except in the limited way and private use permitted by the lender to the borrower.

PRIMARY STRUCTURE

AB-07

1 NO. REQD.

3859

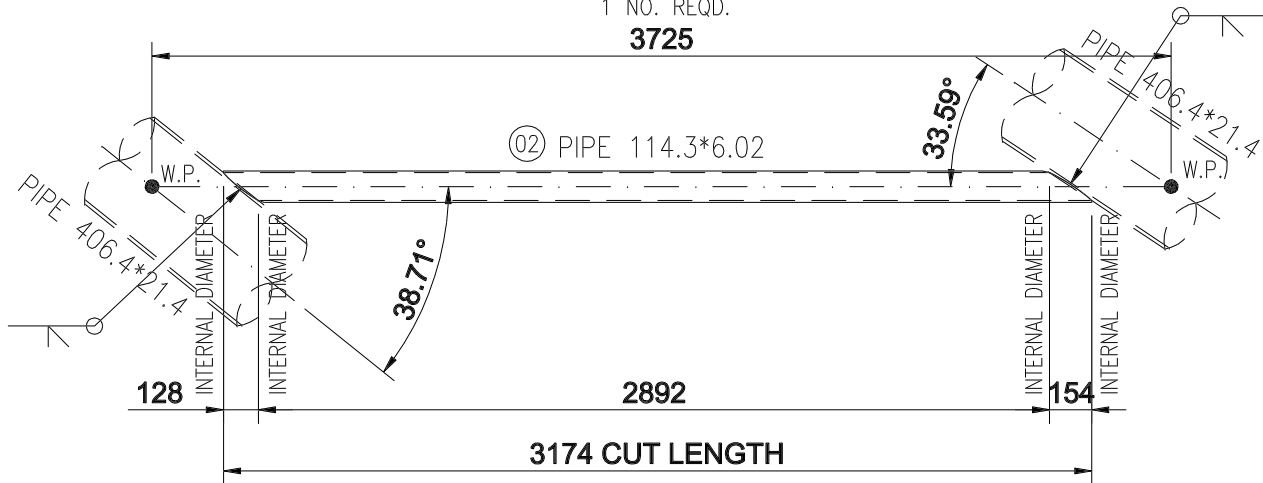


PRIMARY STRUCTURE

AB-08

1 NO. REQD.

3725

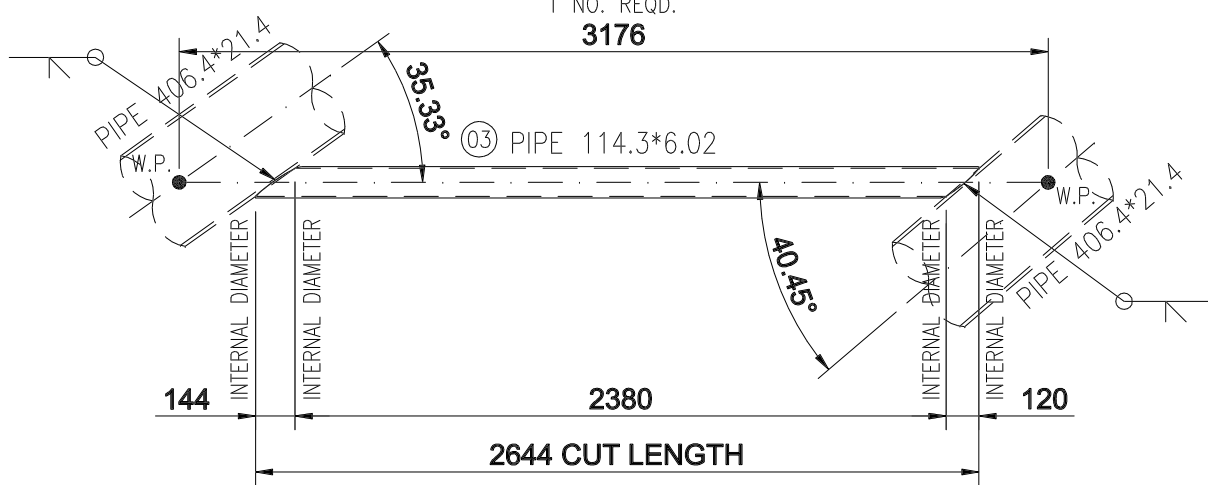


PRIMARY STRUCTURE

AB-09

1 NO. REQD.

3176

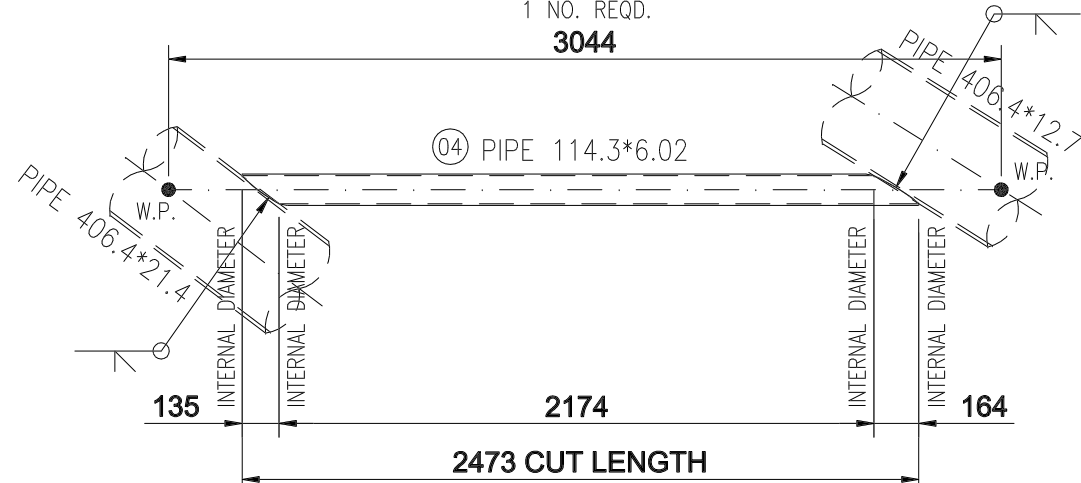


PRIMARY STRUCTURE

AB-10

1 NO. REQD.

3044

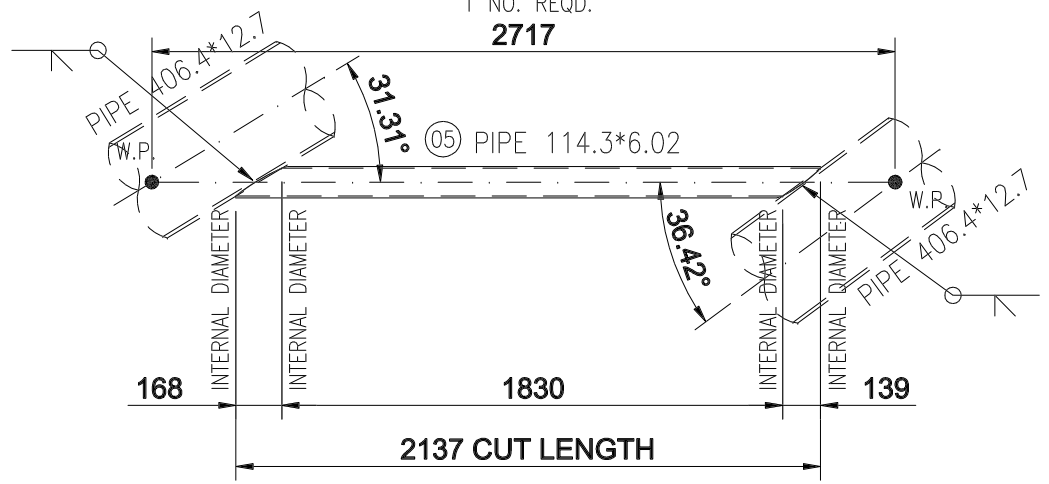


PRIMARY STRUCTURE

AB-11

1 NO. REQD.

2717



MARK	POS.	QUANT.	DENOMINATION	LENGTH.	MATERIAL	WEIGHT Kg.	CAT.	ITEM NUMBER
AB-07	01	1	PIPE 168.3*7.11	3407	S355_KL+20	96.4	1	AB-07
						96.4		
AB-08	02	1	PIPE 114.3*6.02	3174	S355_KL+20	51.1	1	AB-08
						51.1		
AB-09	03	1	PIPE 114.3*6.02	2644	S355_KL+20	42.6	1	AB-09
						42.6		
AB-10	04	1	PIPE 114.3*6.02	2473	S355_KL+20	39.8	1	AB-10
						39.8		
AB-11	05	1	PIPE 114.3*6.02	2137	S355_KL+20	34.4	1	AB-11
						34.4		
						0.0		

kg. 264

NOTES

- 1 - ALL DIMENSIONS ARE IN MILLIMETRES U.N.O.
- 2 - ALL ELEVATIONS ARE REFERRED TO MEAN LOW WATER (M.L.W.) ± 0.00 m.

Rev.	Date DD-MM-YY	Revision Description	ICV	NAR	MMF	ADV/DMOI
01	20-JAN-09	APPROVED FOR CONSTRUCTION				
02		VENT BOOM - EXTERNAL FACES AB-BC-AC				
REV		REFERENCE DOCUMENT TITLE				

Scale:	N.T.S.	Company:	TOTAL E&P ANGOLA ANGOLA - BLOCK 17	Contractors:	Eni, Salpem sa., Petromar
Original Paper size:	A3	Project name:	BLOCK 2 SINGLE CENTRAL PLATFORM (SCP)	Document title:	VENT BOOM PRIMARY STEEL MARKS AB-07 + AB-11
Plotter:	A1, A3	Company's contract N°:	N/A	Product:	N/A
		Type of document:	DRAWING	Contractor's documentation identification:	
		Company's document identification:	-	Job N°:	F33099
				Origin:	PTM
				Unit:	400
				Discipline:	STR
				Doc. Type:	MKD
				Seq. Num.:	4006
				Sheet:	1-1
				Rev.:	1