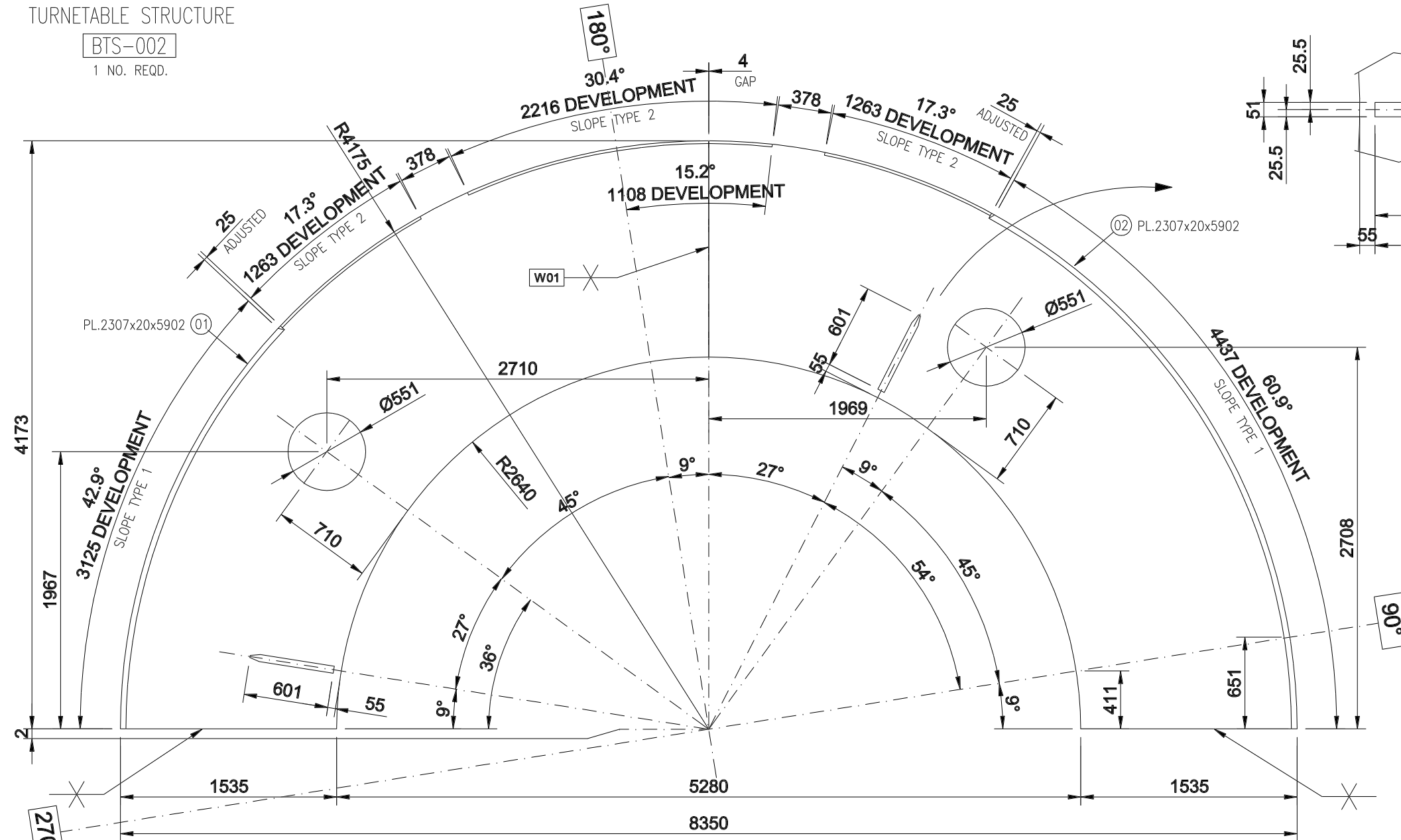


TURNETABLE STRUCTURE

BTS-002

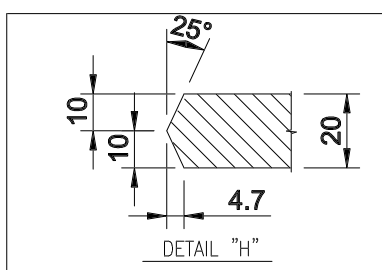
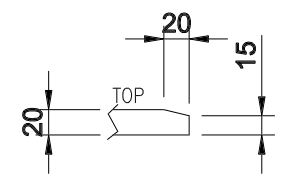
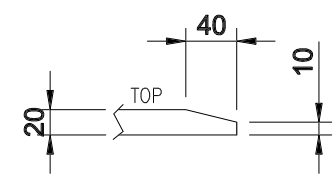
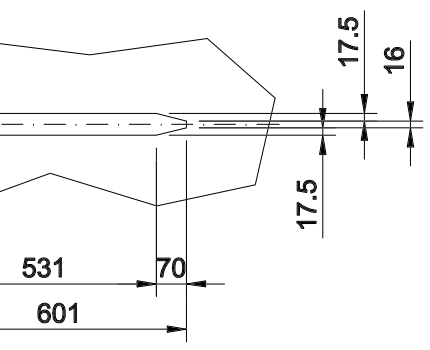
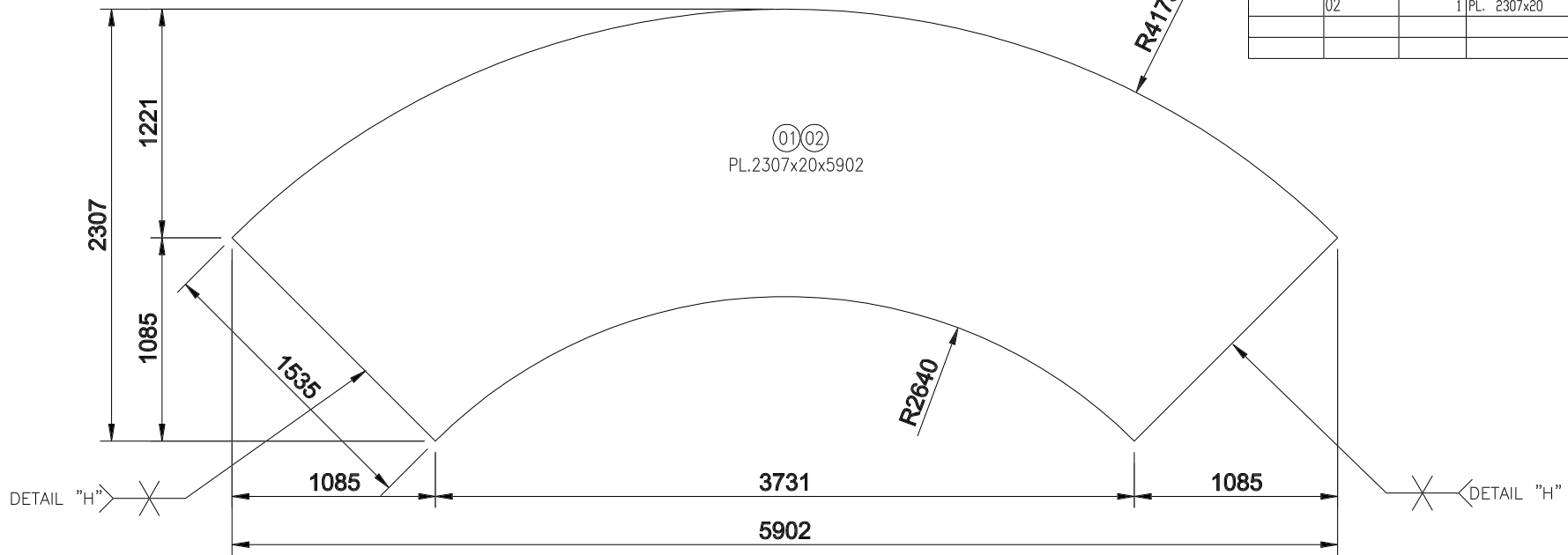
1 NO. REQD.



TOP VIEW
SEE NOTE 5

MARK	POS.	QUANT.	DENOMINATION	LENGTH.	MATERIAL	WEIGHT Kg.	NOTES
BTS-002	01	1	PL. 2307x20	5902	S355_KT-20	1289.0	
	02	1	PL. 2307x20	5902	S355_KT-20	1289.0	
						2578.0	
						0.0	

kg. 2578



NOTES

- 1 - ALL DIMENSIONS ARE IN MILLIMETRES U.N.O.
- 2 - ALL ELEVATIONS ARE REFERRED TO MEAN LOW WATER (M.L.W.) ± 0.00 m.
- 3 - ALL GEOMETRICAL DIMENSIONS OF WELDED MEMBERS ARE GIVEN WITH THE FOLLOWING TOLERANCE : $\sigma = 0.003 * L$ WHERE L IS THE DIMENSION AND σ THE CORRESPONDING TOLERANCE (12mm. MAX)
- 4 - DIMENSION ARE NET OF PREPARATION GAPS
- 5 - HOLES TO BE MADE AFTER ASSEMBLY OF POS. 01 & 02

REFERENCE DRAWING	DRAWING NUMBER
TURNETABLE STRUCTURE	NG-USN-UF-816-640321 REV 0
TURNETABLE STRUCTURE DETAIL	NG-USN-UF-816-640322 REV 0
TURNETABLE STRUCTURE DETAIL	NG-USN-UF-816-640323 REV 0

Revision	Date	Status	Revision memo	Issued by	Checked by	Approved by
01	20-MAR-2010	AFC	Approved for construction	RVT	LONOKA	D.PENTA
00	10-MAR-2010	IFC	Issued for construction	RVT	LONOKA	D.PENTA
A	01-MAR-2010	IDC	Issue for Interdiscipline check	RVT	LONOKA	D.PENTA



TOTAL E & P NIGERIA LIMITED
USAN DEEPWATER DEVELOPMENT PROJECT



This document is the property of TOTAL. It must not be stored, reproduced or disclosed to other without written authorization from the Company. This document has been generated by an Electronic Document Management System. When printed it is considered as a for information only copy. The controlled copy is the screen version and it is the holder's responsibility that he/she holds the latest valid version.

SCNL YARD
SYSTEM O - DEEPWATER BUOY
MARK BTS-002

Doc Type :	DRW	Syst./S-Syst :	-	Discipline :	STR	App Class :	0	Electronic Filename :	
COMPANY Document N°	NG-USN-UF-851-642301			REV :	01	Scale :	NTS		
Contractor Document N°	NG-USN-UF-851-642301			Size :	A3	Sheet :	1 of 1		