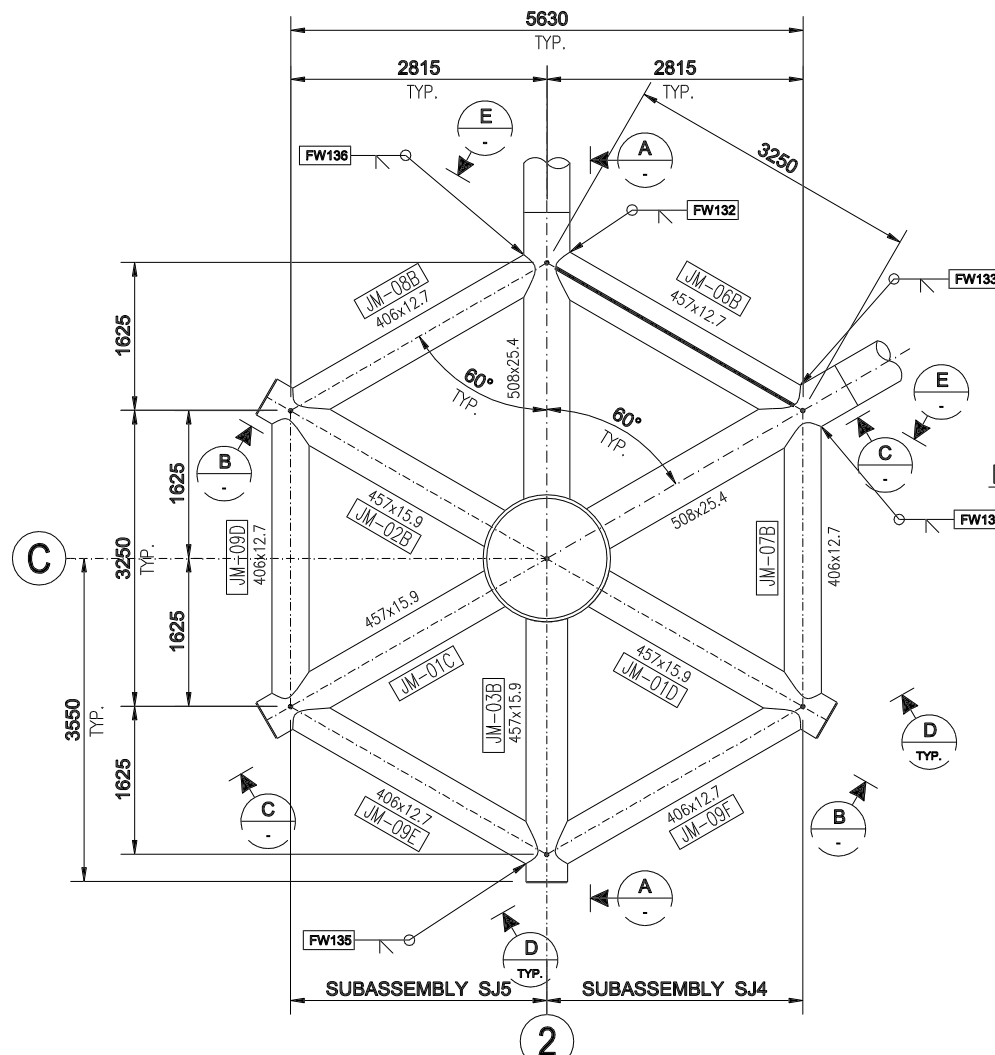
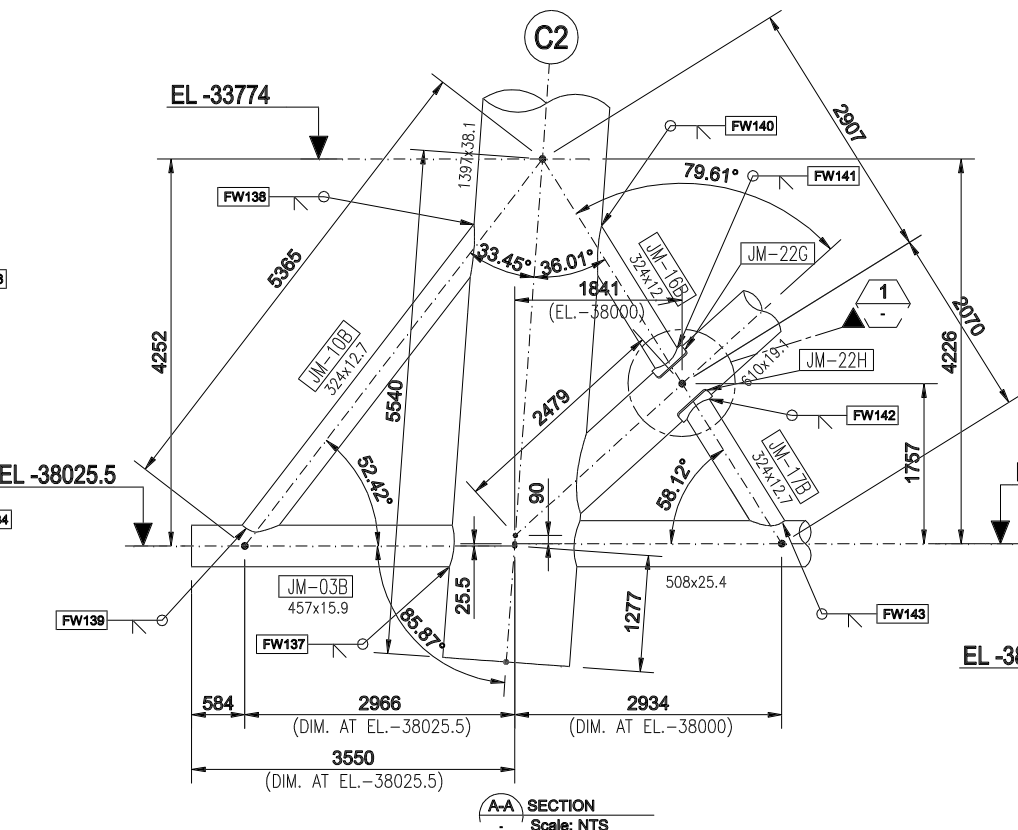
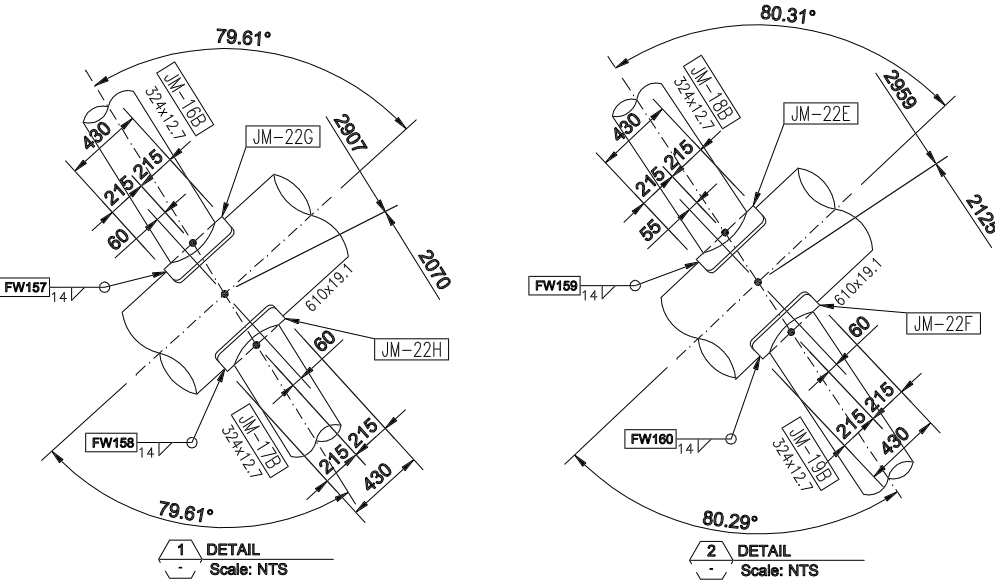


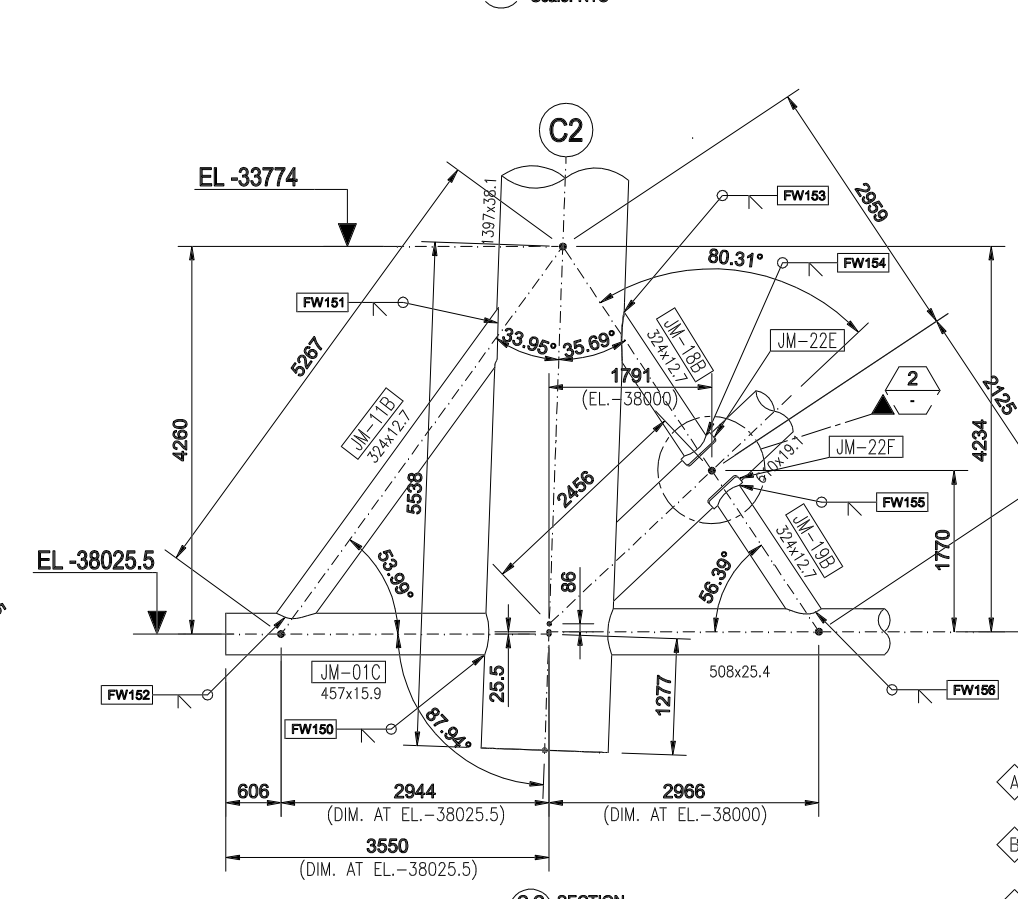
This drawing and the design it covers are the property of PETROMAR. They are merely loaned and on the borrower's express agreement that they will not be reproduced, copied, loaned, exhibited, nor used except in the limited way and private use permitted by any written consent given by the lender to the borrower.



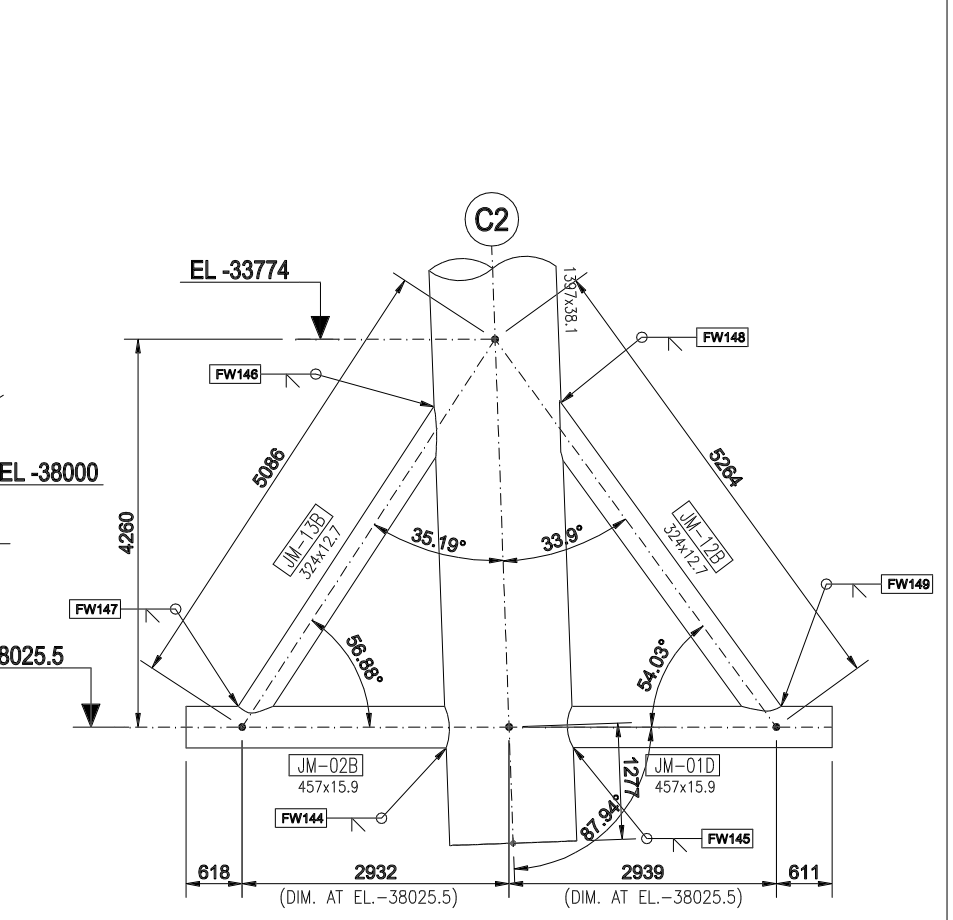
PLAN AT MUDMAT C2
(MUDMAT FRAMING)
N.B.: ALL DIMENSIONS REFERRED TO
ELEV. -38025.5 (C/L PIPES DIA.457)



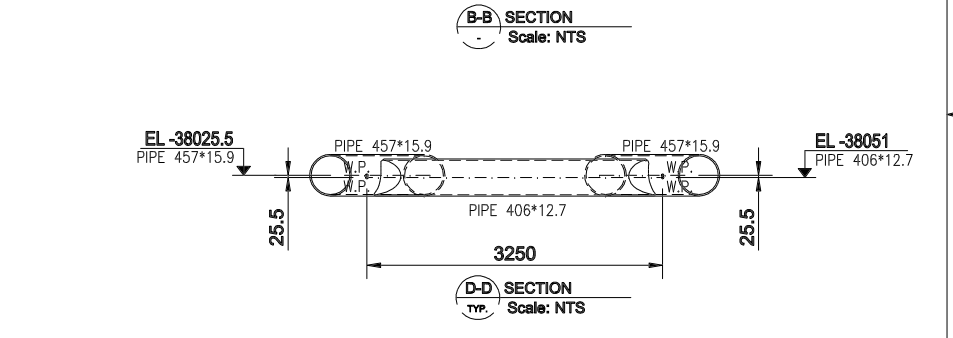
A-A SECTION
Scale: NTS



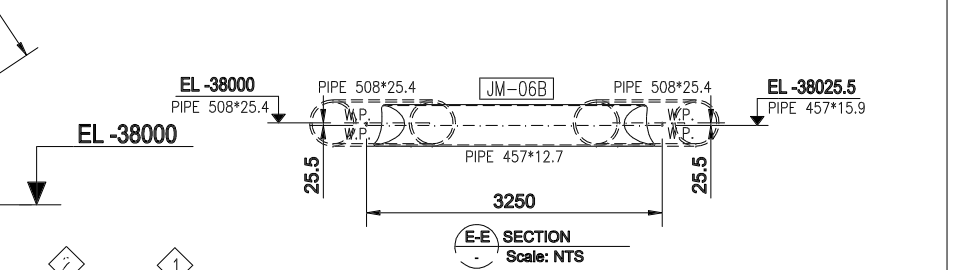
C-C SECTION
Scale: NTS



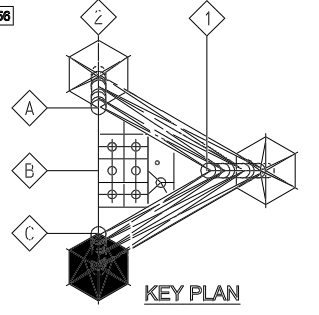
B-B SECTION
Scale: NTS



D-D SECTION
Scale: NTS



E-E SECTION
Scale: NTS



- NOTES**
- 1 - ALL DIMENSIONS ARE IN MILLIMETRES U.N.O.
 - 2 - ALL ELEVATIONS ARE REFERRED TO MEAN LOW WATER (M.L.W.) ± 0.00 m.
 - 3 - THE SYMBOL FWxx INDICATES WELDS TO BE PERFORMED IN SHOP
 - 4 - WELD NUMBER: FW132 - FW160
 - 5 - LONGITUDINAL WELD N.S.
 - 6 - LONGITUDINAL WELD F.S.

AO-042-SC-070-039021	01	JACKET- MUDMAT FRAMING	1	05-MAR-09	APPROVED FOR CONSTRUCTION	ICV	NAR	MMF	ADV/DMOI
REF. DOC. N°	REV	REFERENCE DOCUMENT TITLE	Rev.	Date DD-MM-YY	Revision Description	Originator Visa	Checker Visa	Approval Visa	Project Visa

Scale: **N.T.S.**

Original Paper size: **A3**

Plotter: A1, A3

Company: **TOTAL E&P ANGOLA**
ANGOLA - BLOCK 17

Project name: **BLOCK 2 SINGLE CENTRAL PLATFORM (SCP)**

Company's contract N°: N/A Product: N/A Type of document: **DRAWING**

Company's document identification: -

Contractors: **Eni Saipem s.a. Petromar**
TECHNICAL OFFICE - SOYO, YARD

Document title: **JACKET ASSEMBLY PLAN AT MUDMAT C2**

Contractor's documentation identification:	Job N°	Origin	Unit	Discipline	Doc. Type	Seq. Num.	Sheet	Rev.
	F33099	PTM	100	STR	ASD	1200	6-9	1