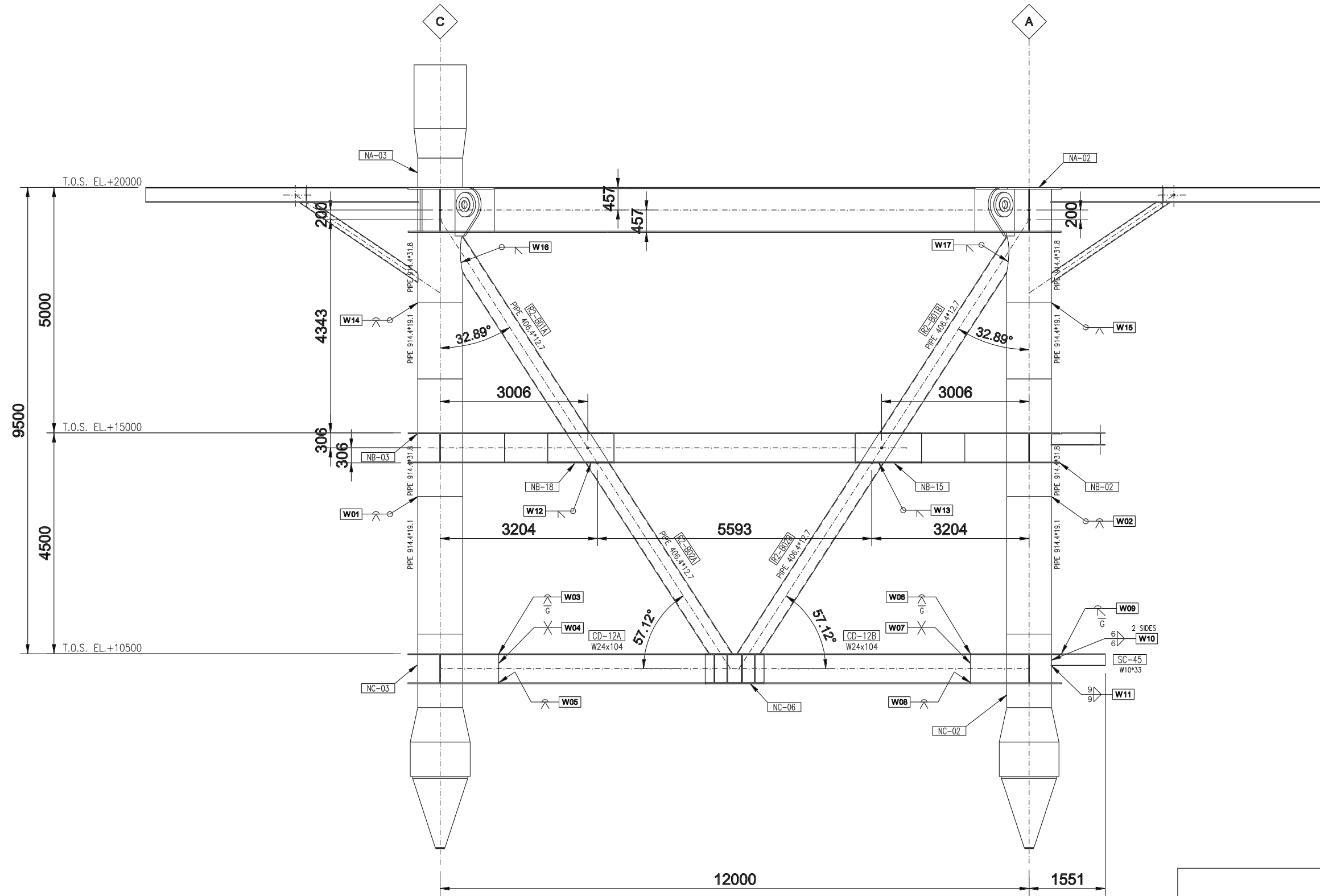


This drawing and the design it covers are the property of PETROMAR. They are merely loaned and on the borrower's express agreement that they will not be reproduced, copied, loaned, exhibited, nor used except in the limited way and private use permitted by the lender to the borrower.



**A-A SECTION**  
Sh. 1 Scale: NTS

**NOTES**

- 1 - ALL DIMENSIONS ARE IN MILLIMETRES U.N.O.
- 2 - ALL ELEVATIONS ARE REFERRED TO MEAN LOW WATER (M.L.W.) ± 0.00 m.
- 3 - THE SYMBOL Wxx INDICATES WELDS TO BE PERFORMED IN FIELD
- 4 - WELD NUMBER: W01 - W17

REF. DOC. N°	REV	REFERENCE DOCUMENT TITLE	Rev.	Date DD-MM-YY	Revision Description	ICV	NAR	MMF	ADV/DMOI
F33099-PTM-200-STR-ASD-2200	02	DECK - CELLAR DECK - ASSEMBLY CD01							
F33099-PTM-200-STR-ASD-2201	02	DECK - MAIN DECK - ASSEMBLY MD01	2	15-MAR-09	REVISED Sh.1, 2, 5 & 6 I.A.W. CLIENT REVISION	ICV	NAR	MMF	ADV/DMOI
F33099-PTM-200-STR-ASD-2202	01	DECK - UPPER DECK - ASSEMBLY UD01	1	25-FEB-09	APPROVED FOR CONSTRUCTION	ICV	NAR	MMF	ADV/DMOI

Scale:	N.T.S.
Original Paper size:	A3
Plotter:	A1 - A3 -

Company:	TOTAL E&P ANGOLA ANGOLA - BLOCK 17		
Project name:	BLOCK 2 SINGLE CENTRAL PLATFORM (SCP)		
Company's contract N°:	N/A	Product:	N/A
Company's document identification:	DRAWING		

Contractors:			
Document title:	DECK ERECTION ELEVATION ROW 2		
Contractor's documentation identification:	F33099 PTM 200 STR ERD 2300 4-9 2		