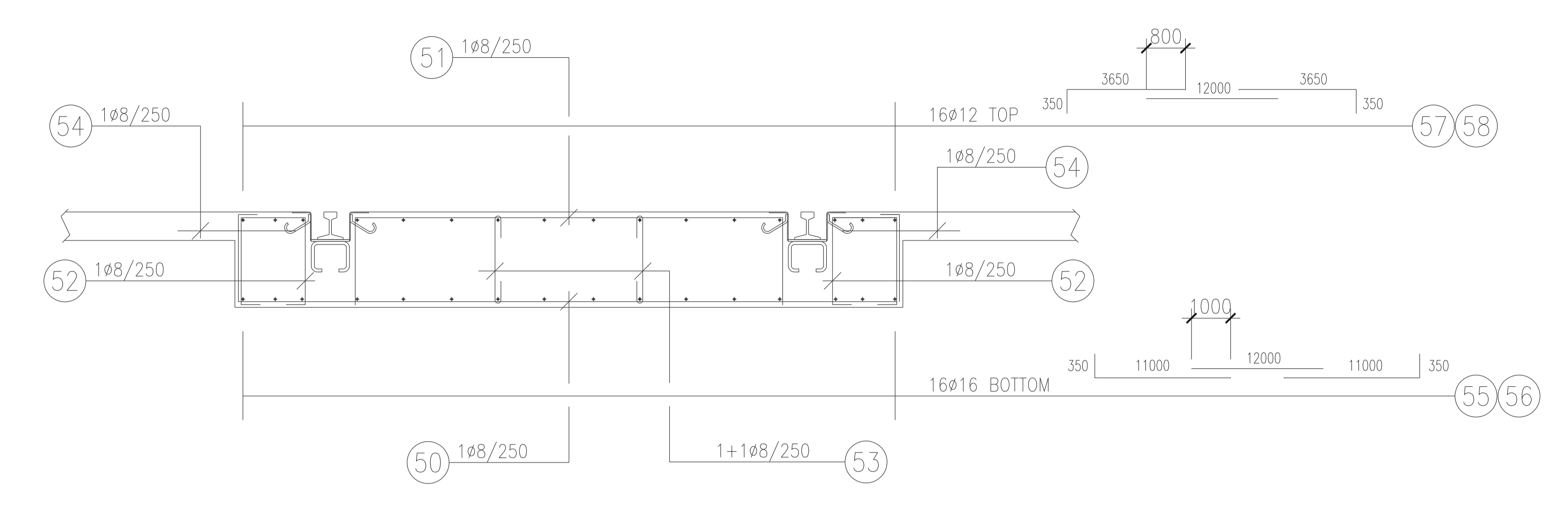
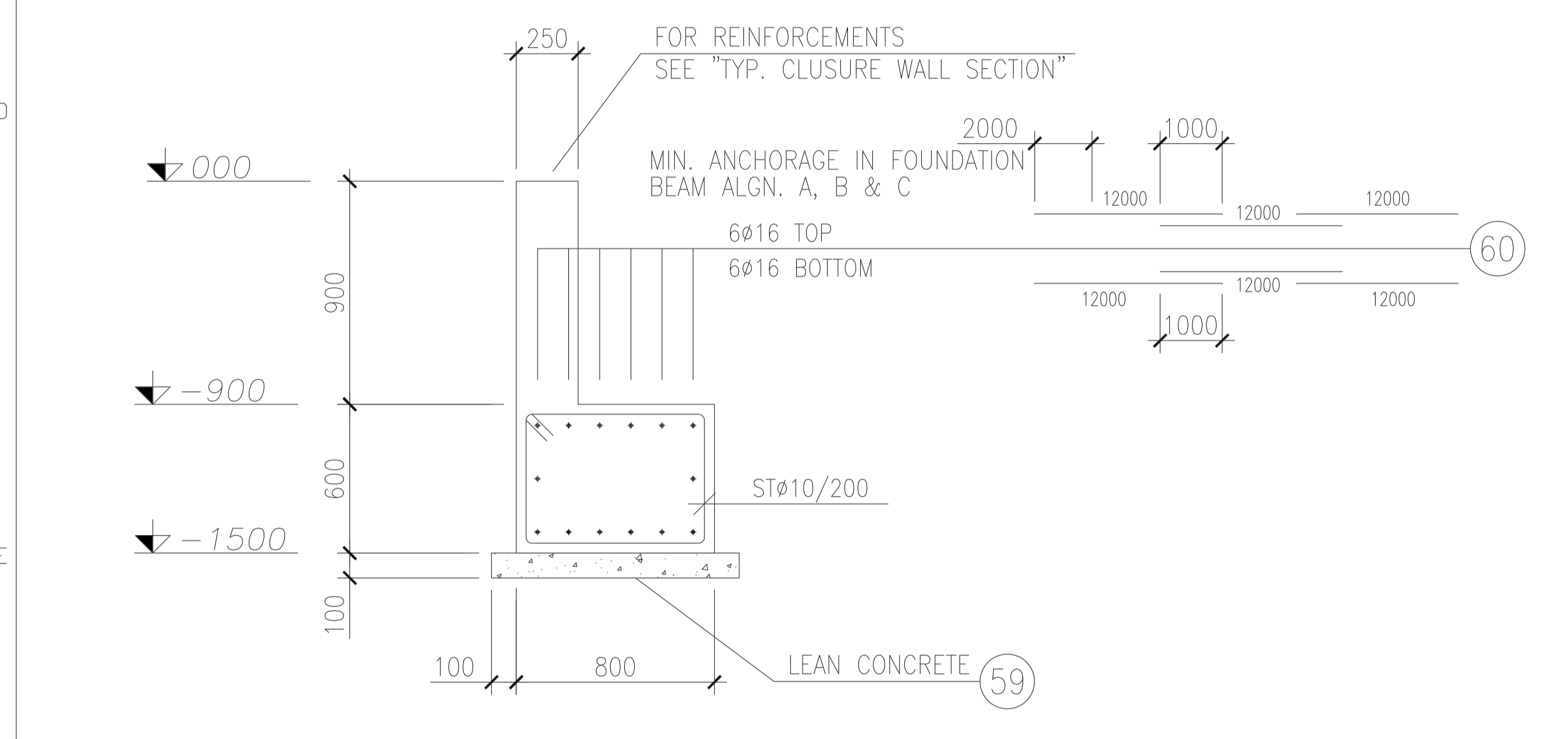


FORMWORKS



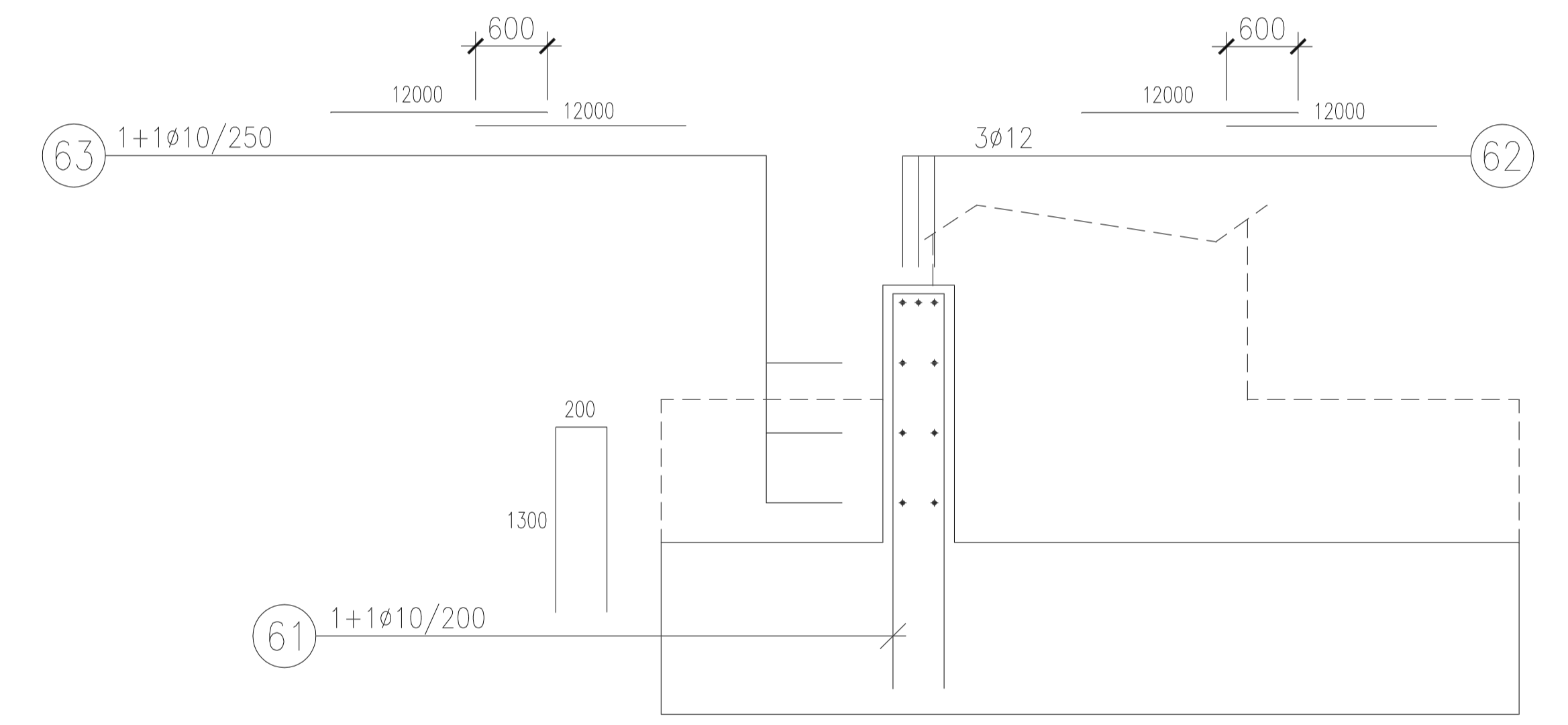
REINFORCEMENTS

SECTION G-G
ROLLER FOUNDATION 1:25



CLUSURE BEAM TYP. SECTION

REINFORCEMENTS 1:25
ALGN. 1 & 37



TYP. CLOSURE WALL SECTION

REINFORCEMENTS 1:25

BAR BENDING SCHEDULE

| POS. | Ø | N. BAR | BAR DIMENSION | BAR LENGTH (m) | TOTAL BARS LENGTH (m) | | | | | |
|-------------------|----|--------|---------------|----------------|-----------------------|-------|------|--------|------|----------|
| | | | | | Ø 8 | Ø 10 | Ø 12 | Ø 16 | Ø 20 | |
| 50 | 8 | 1842 | | 4.53 | 8344.3 | | | | | |
| 51 | 8 | 1842 | | 3.30 | 6078.6 | | | | | |
| 52 | 8 | 3684 | | 1.40 | 5157.6 | | | | | |
| 53 | 8 | 3684 | | 0.65 | 2394.6 | | | | | |
| 54 | 8 | 3684 | | 0.80 | 2947.2 | | | | | |
| 55 | 16 | 64 | | 11.35 | | | | 726.4 | | |
| 56 | 16 | 608 | | 12.0 | | | | 7296 | | |
| 57 | 12 | 64 | | 4.0 | | | | 256 | | |
| 58 | 12 | 640 | | 12.0 | | | | 7680 | | |
| 59 | 10 | 584 | | 2.76 | | | | 1611.9 | | |
| 60 | 16 | 144 | | 12.0 | | | | 1728 | | |
| 61 | 10 | 2940 | | 2.80 | | | | 8232 | | |
| 62 | 12 | 156 | | 12.0 | | | | 1872 | | |
| 63 | 10 | 312 | | 12.0 | | | | 3744 | | |
| TOTAL LENGTH (m) | | | | | 24923 | 13588 | 9808 | 9751 | | |
| TOTAL WEIGHT (kg) | | | | | 9783 | 8374 | 8710 | 15386 | | |
| TOTAL WEIGHT (kg) | | | | | | | | | | 42253 kg |

| | | | | | |
|------------|-------------------|--|------|--------|-------|
| DRAWING N. | REFERENCE DRAWING | | | | |
| REV. | DATE | DESCRIPTION | DIS. | CONTR. | APPR. |
| 2 | 01.09.08 | ELIMINATED GATE FOUN. & ROLLER FOUN. BETWEEN ALGN. B&C | RV | AI | |
| 1 | 30.07.08 | ISSUED FOR APPROVAL | | | RV AI |

| | | | | | |
|---|-------|------|--|-------|-----------------|
| | | | Structural consultant: Dott. Ing. ATTILIO IANNUZZI PhD Via Lucania n.66 - Tel. - Fax (099)7352981 74100 TARANTO e-mail: info@giannuzziassocati.it | | |
| TITLE USAN NEW WORKSHOP FOUNDATIONS SECTIONS & DETAILS FORMWORKS & REINFORCEMENTS | | | CLIENT APPROVAL | | |
| DATE | SCALE | DIS. | CONTR. | APPR. | DRAWING No |
| 30.07.2008 | 1:250 | RV | AI | | 282002_2 Sh.3/3 |

LICIA_282002_2_AI_250 - 01.09.2008