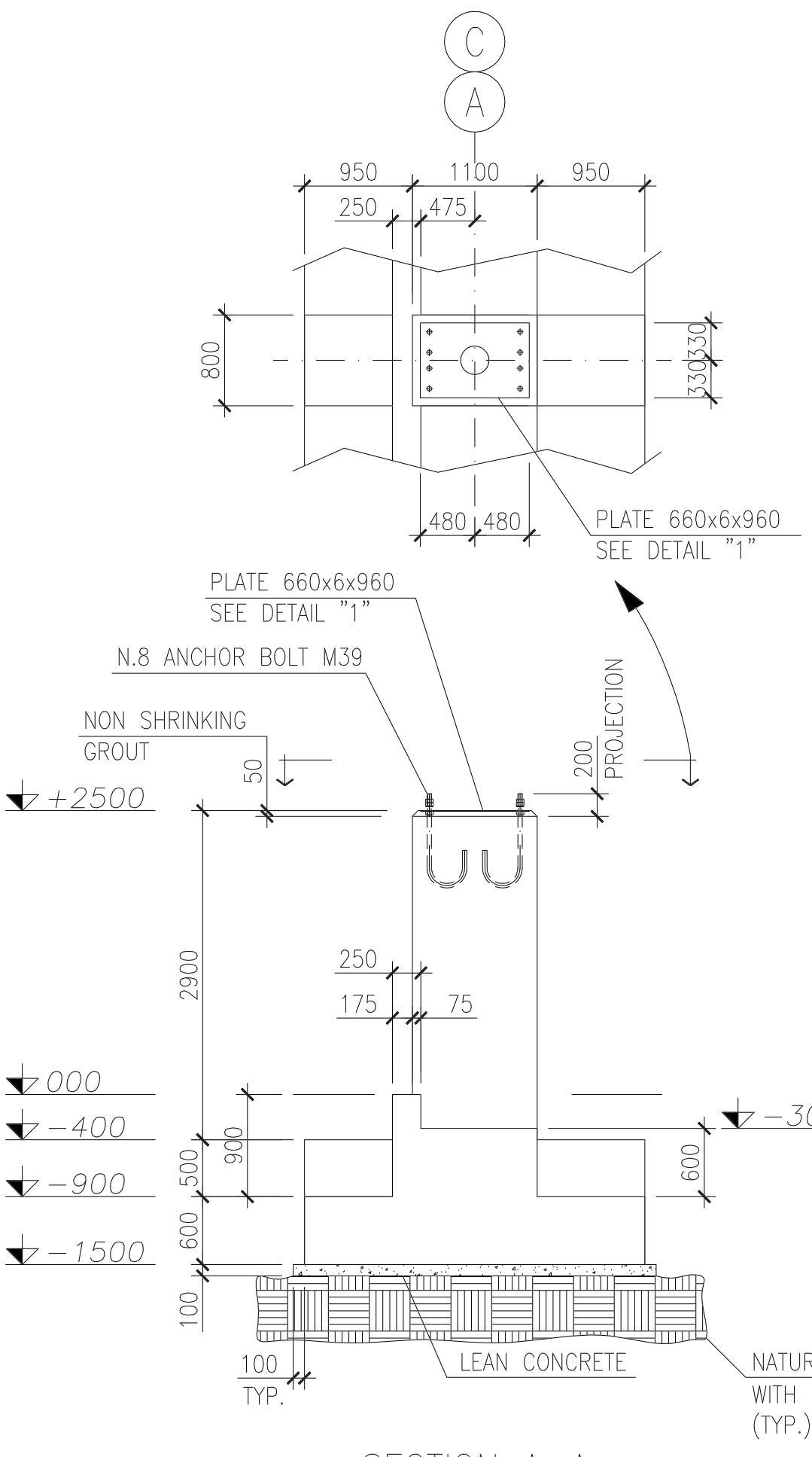
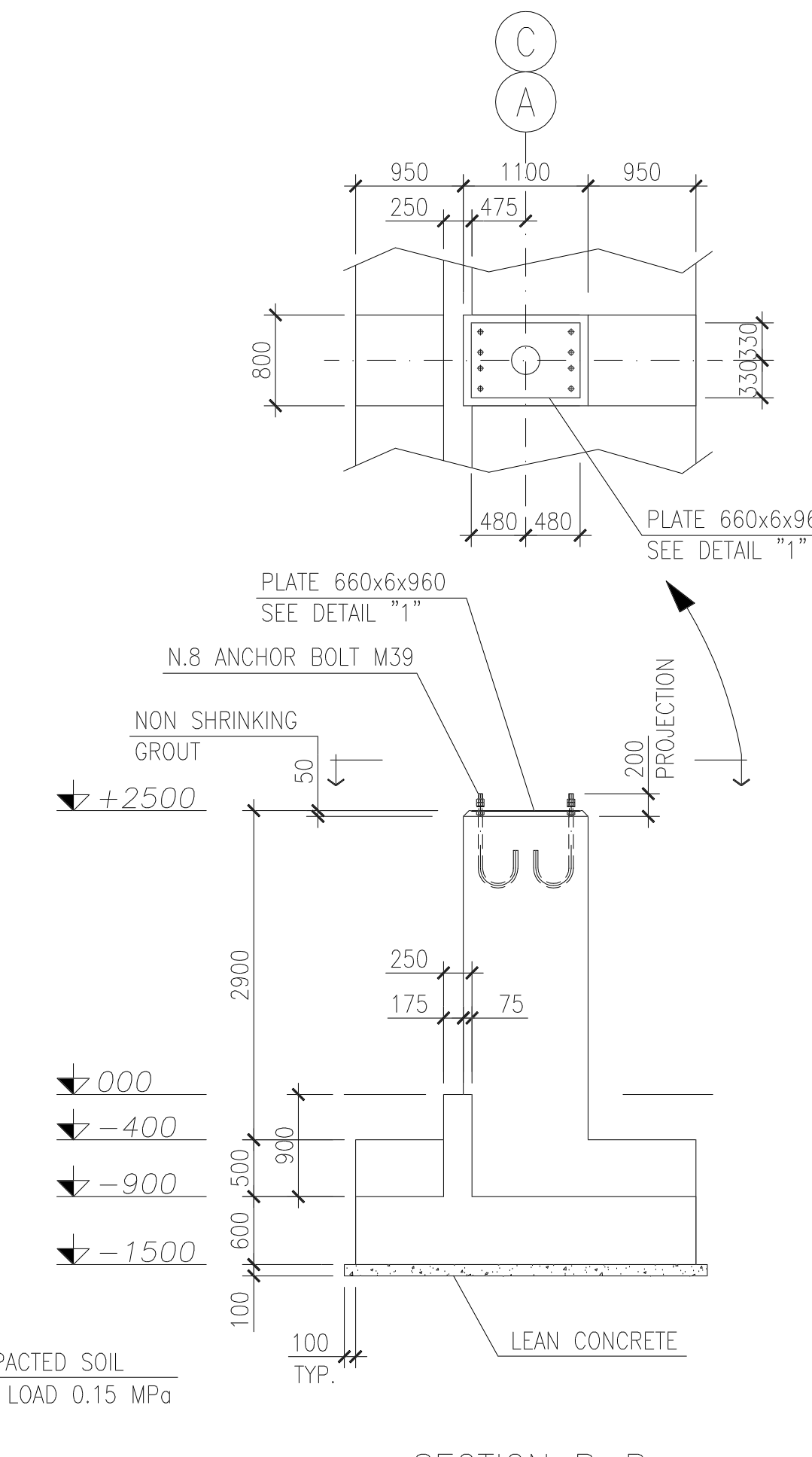


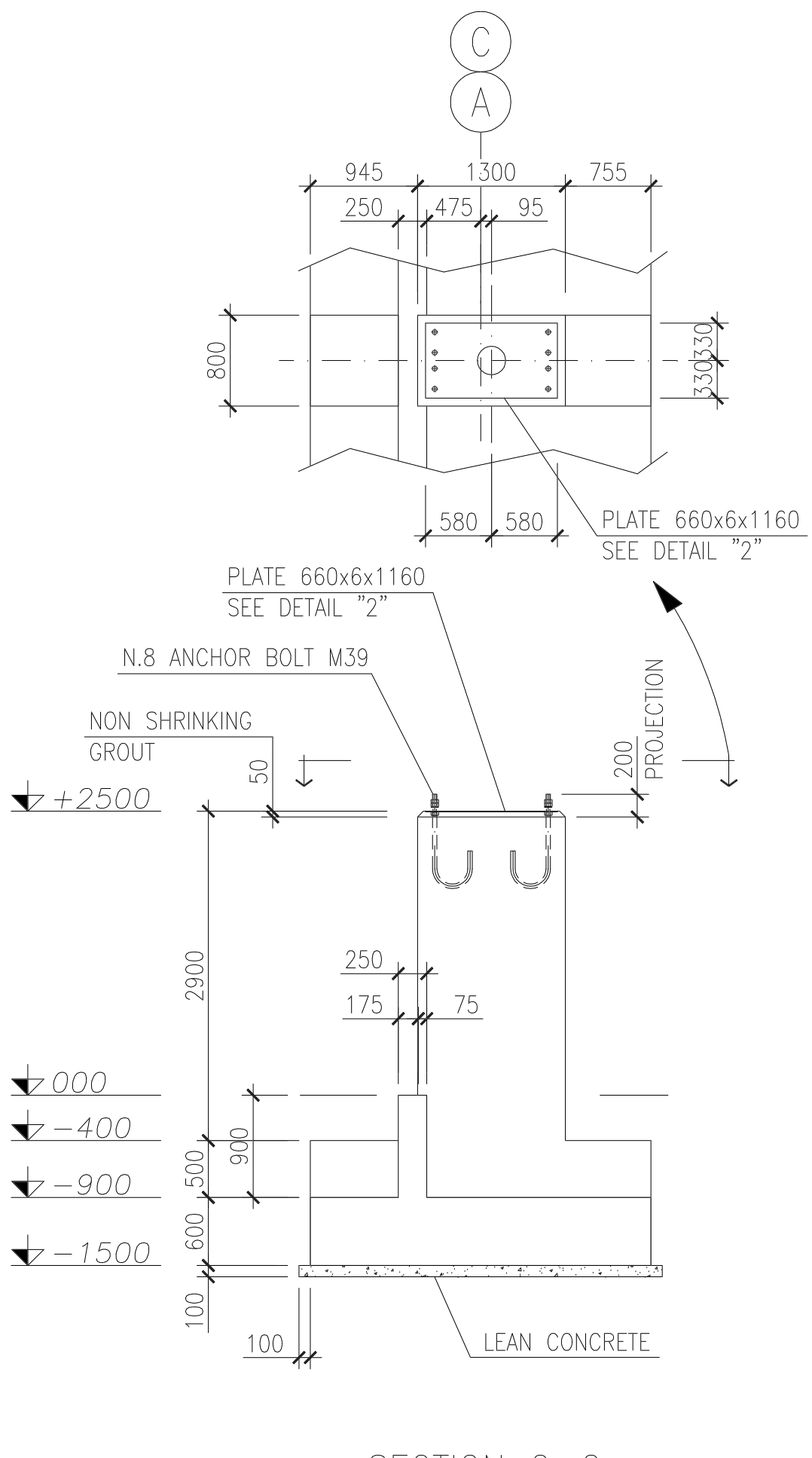
PLAN AT EL. +2500
1:250



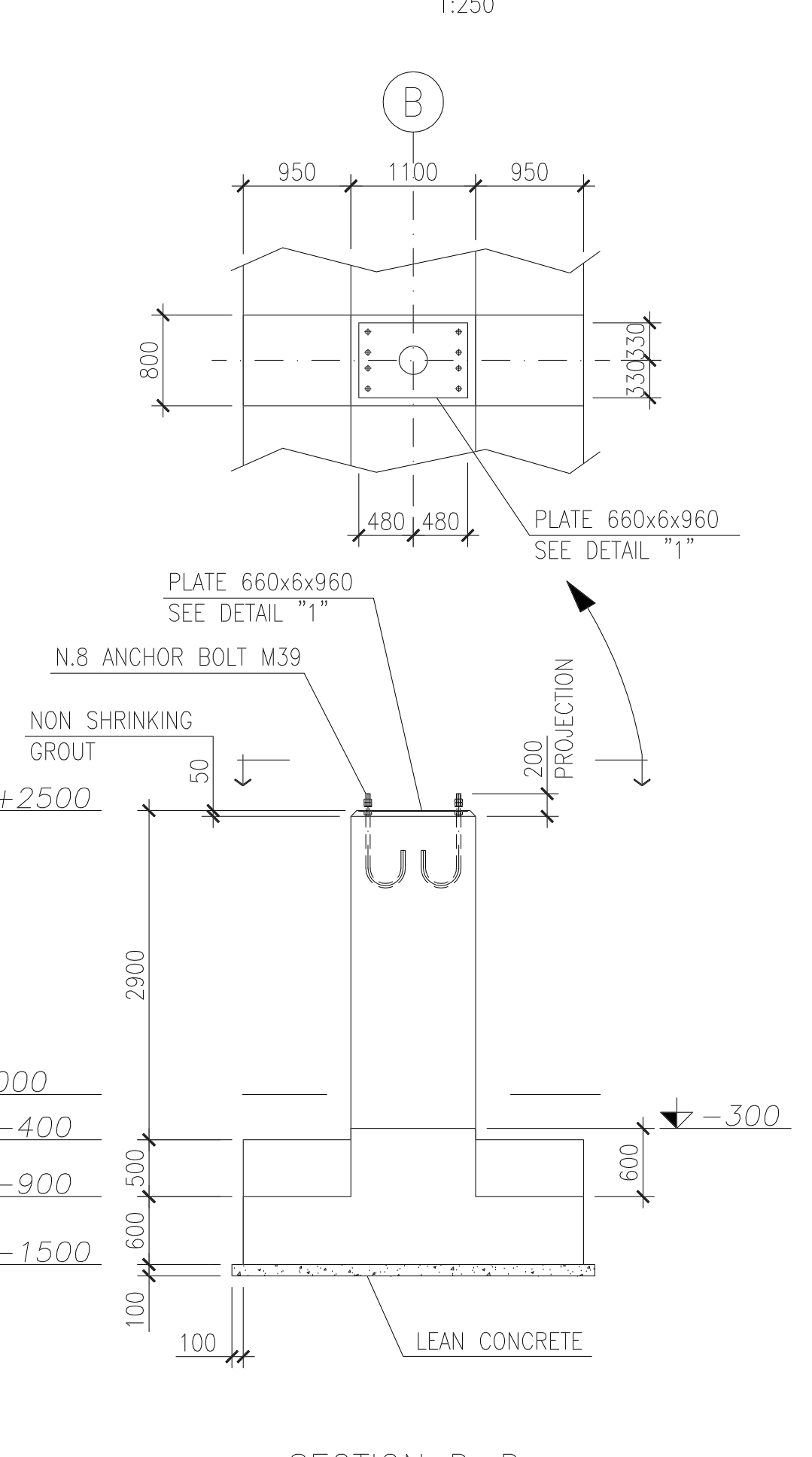
SECTION A-A
FORMWORKS 1:50
VALID FOR ALGN. A/1-4, 34-37
C/1-4, 34-37



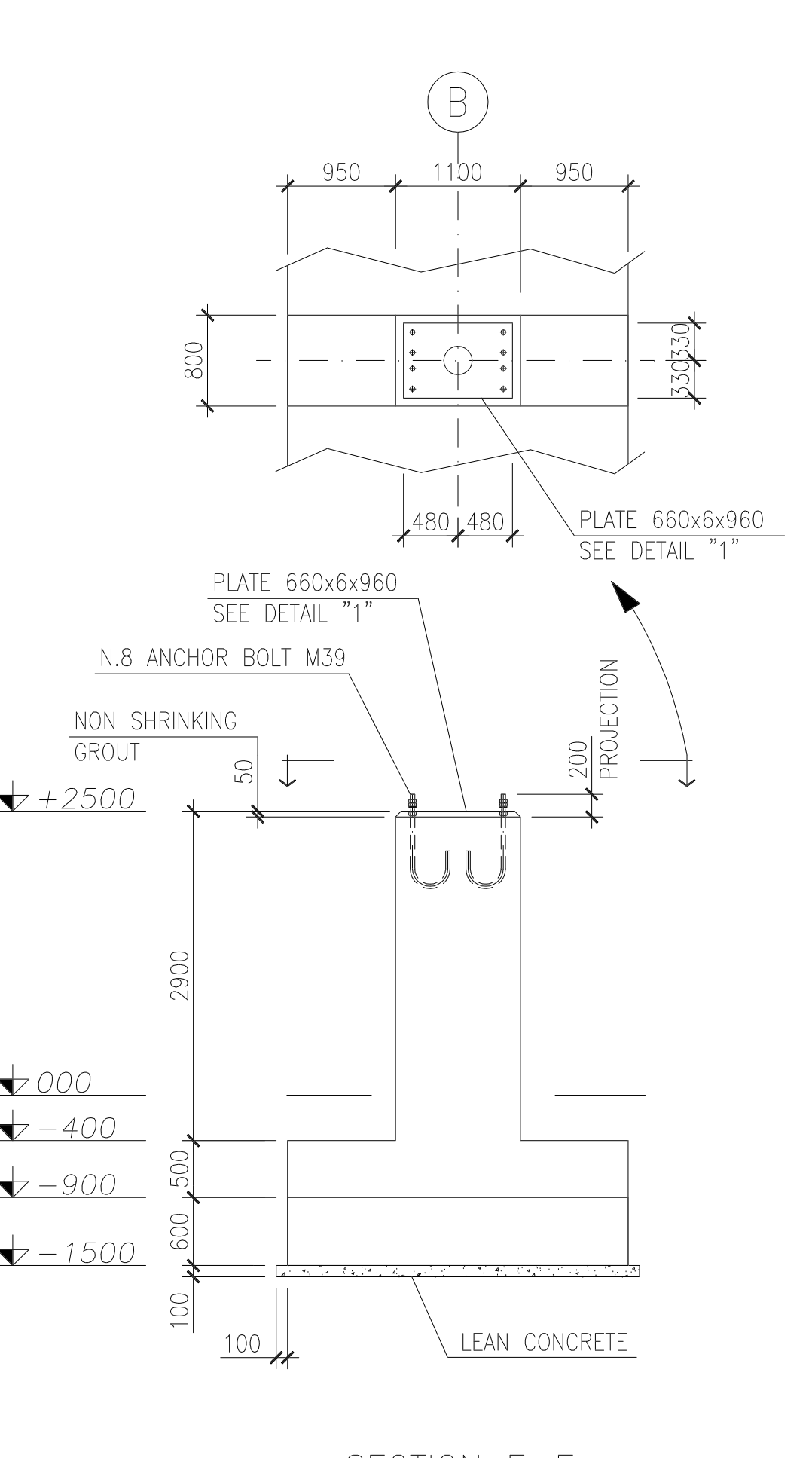
SECTION B-B
FORMWORKS 1:50
VALID FOR ALGN. A/4-15, 18-20, 23-34
C/4-15, 18-20, 23-34



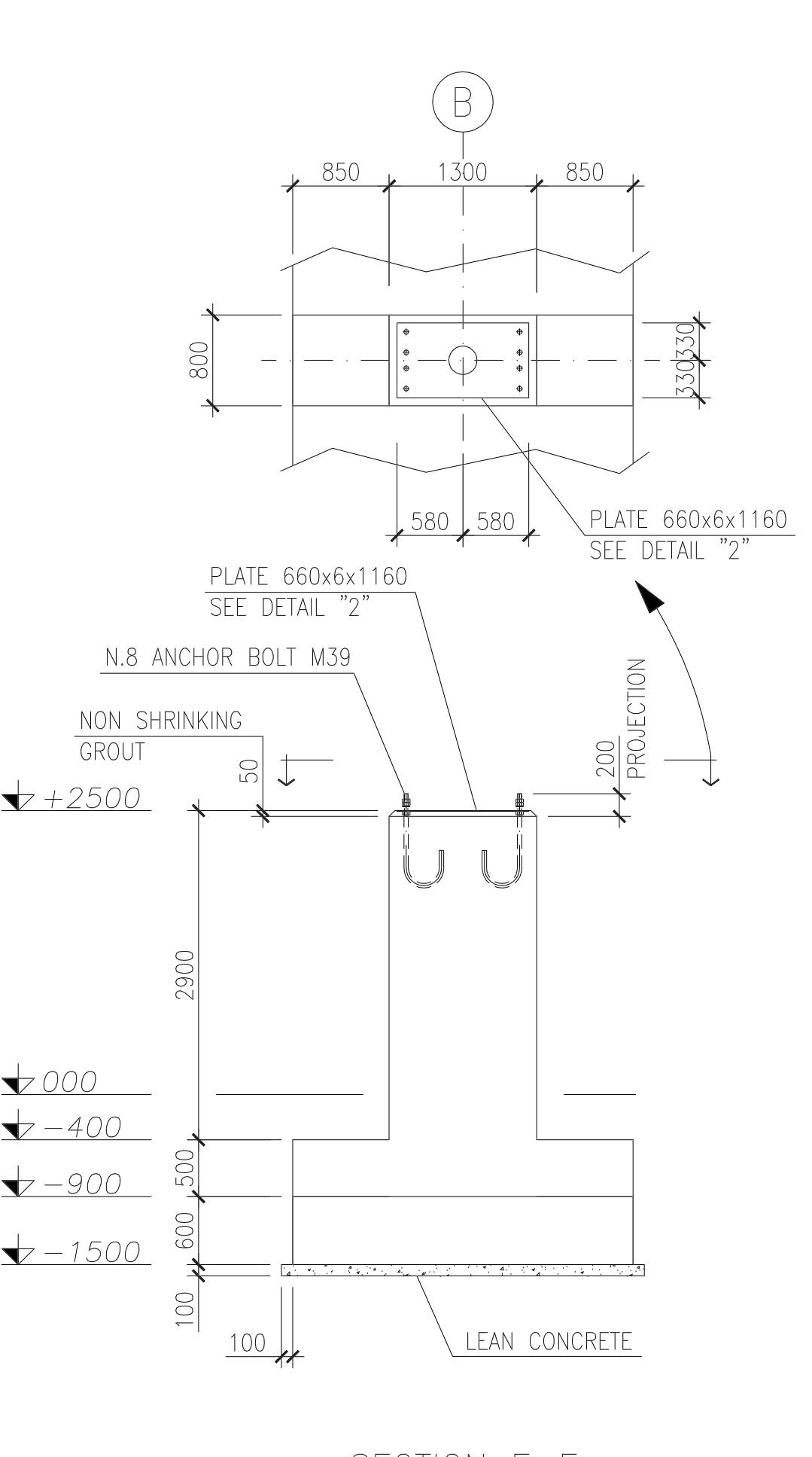
SECTION C-C
FORMWORKS 1:50
VALID FOR ALGN. A/16,17,21,22
C/16,17,21,22



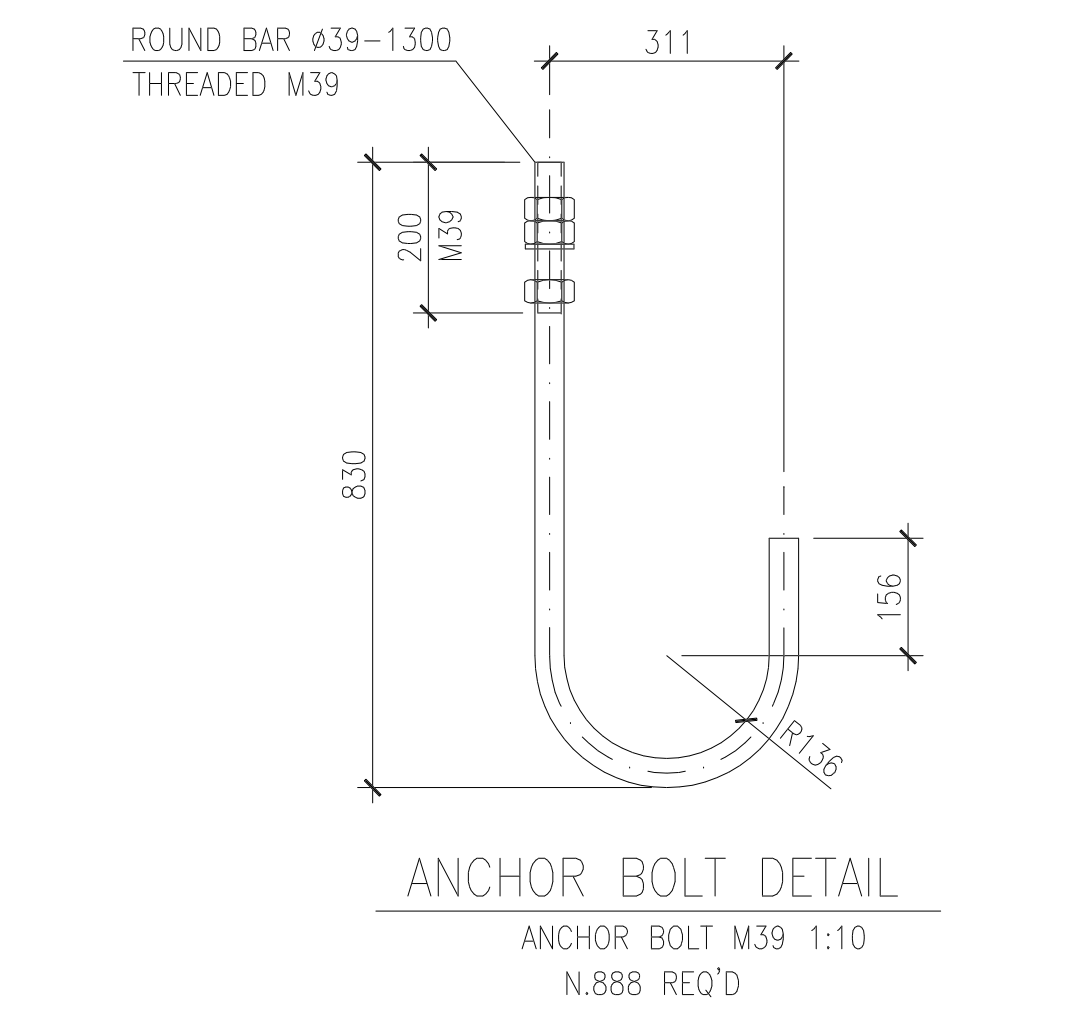
SECTION D-D
FORMWORKS 1:50
VALID FOR ALGN. B/1-4, 34-37



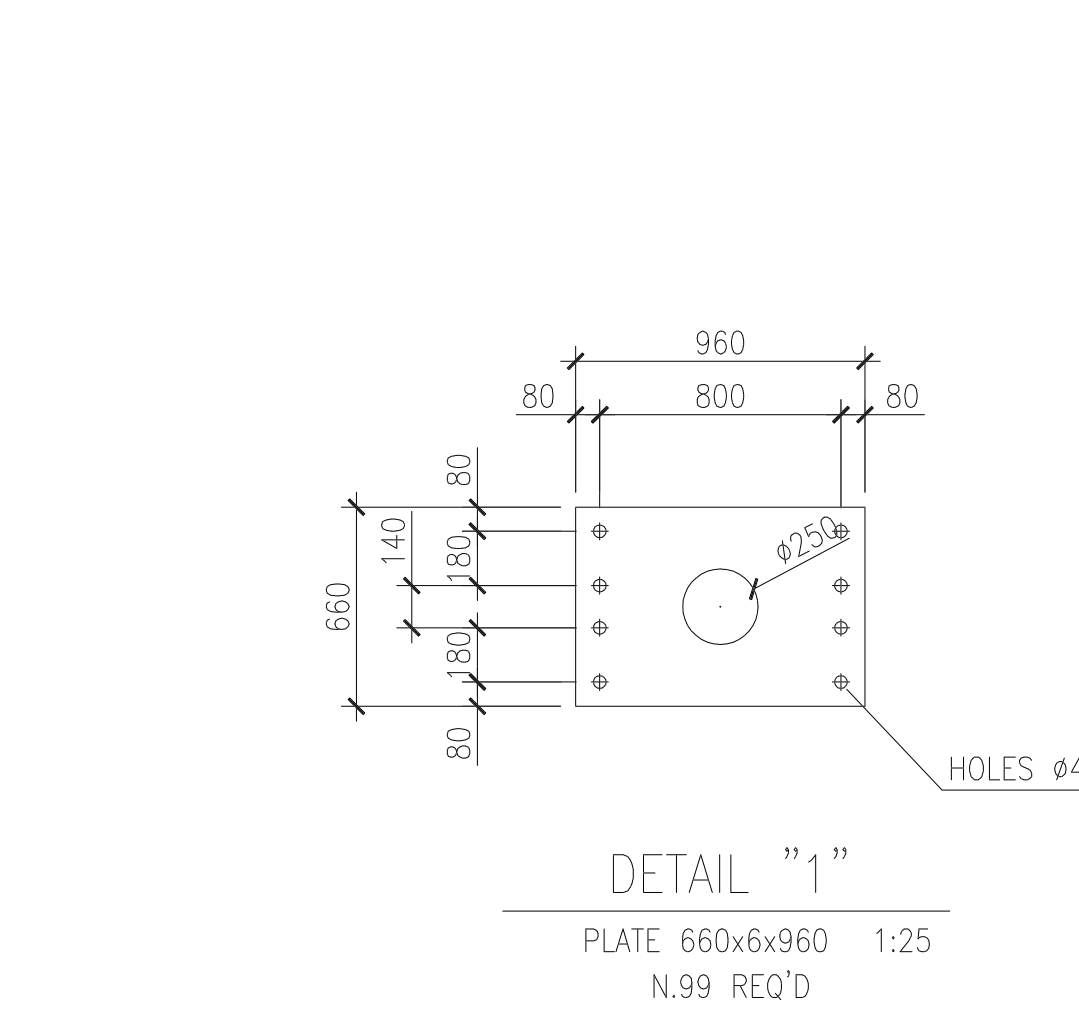
SECTION E-E
FORMWORKS 1:50
VALID FOR ALGN. B/4-15,18-20, 23-37



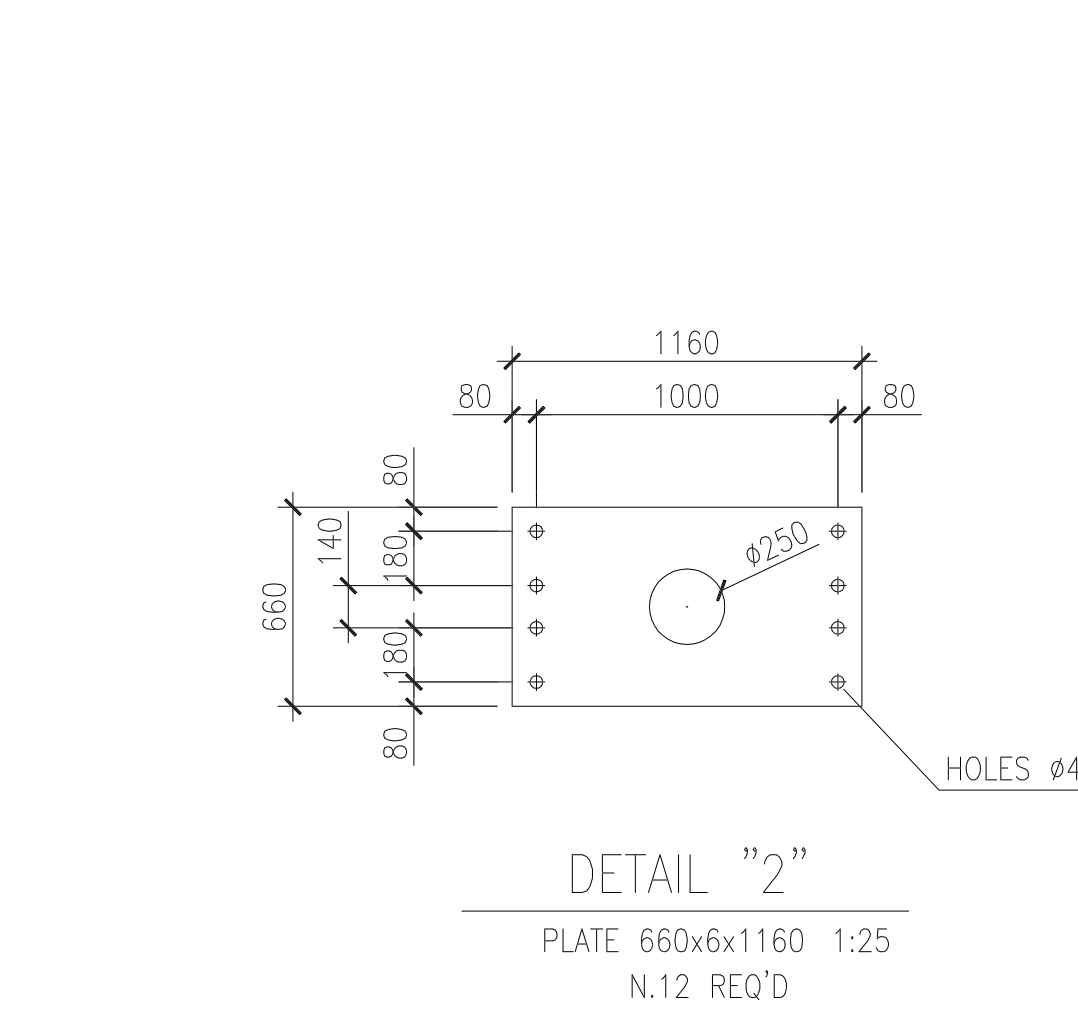
SECTION F-F
FORMWORKS 1:50
VALID FOR ALGN. B/16,17,21,22



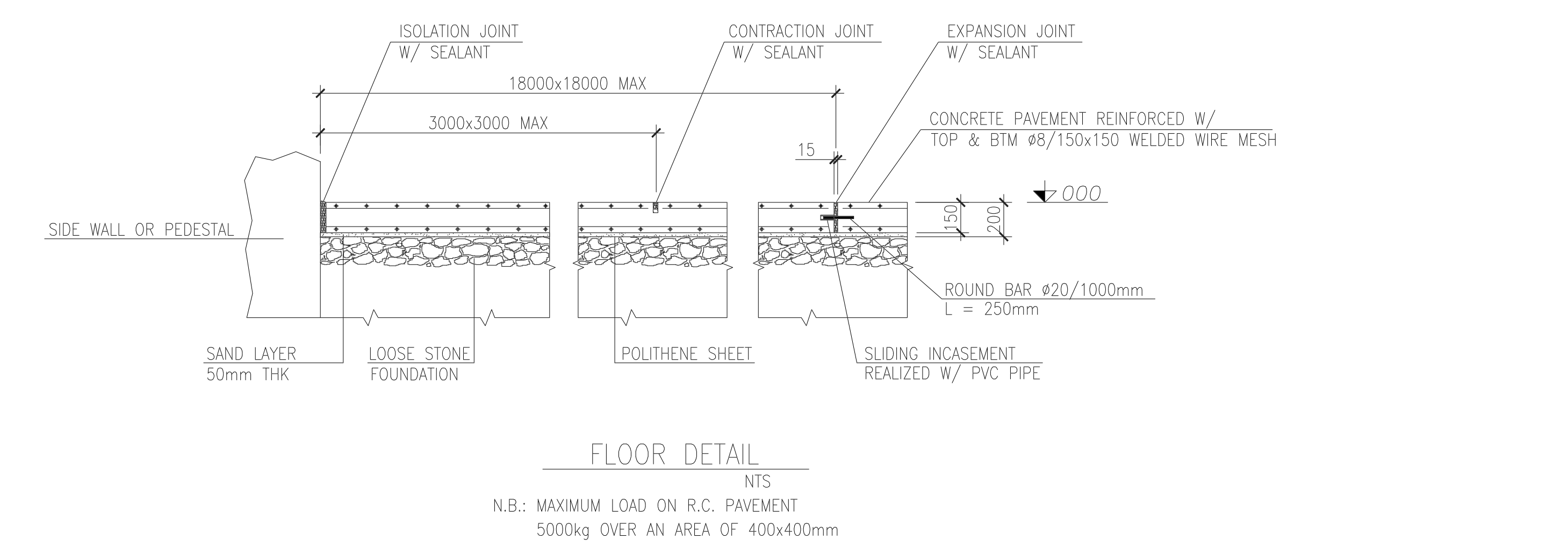
ANCHOR BOLT DETAIL
ANCHOR BOLT M39 1:10
N.888 REO'D



DETAIL "1"
PLATE 660x6x960 1:25
N.99 REO'D



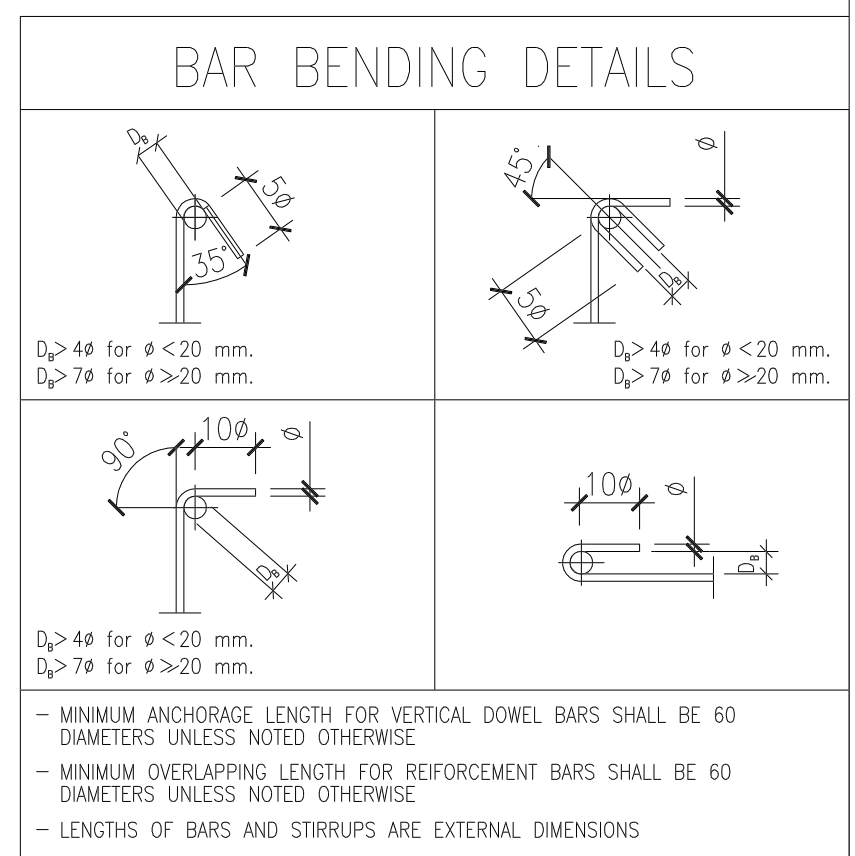
DETAIL "2"
PLATE 660x6x1160 1:25
N.12 REO'D



FLOOR DETAIL
NTS
N.B.: MAXIMUM LOAD ON R.C. PAVEMENT
5000kg OVER AN AREA OF 400x400mm

GENERAL NOTES FOR REINFORCED CONCRETE STRUCTURE

- ALL DIMENSIONS ARE IN MILLIMETERS UNLESS NOTED OTHERWISE.
- ALL ELEVATION ARE REFERED TO ELEVATION 0.00 CORRESPONDING TO THE YARD EXTERNAL FINISHED GRADE.
- CONCRETE (SULPHATE RESISTANT TYPE)
CHARACTERISTIC COMPRESSIVE STRENGTH AT 28 DAYS $f_c = 30.0$ MPa
LEAN CONCRETE
CHARACTERISTIC COMPRESSIVE STRENGTH AT 28 DAYS $f_c = 15.0$ MPa
- REINFORCING BARS
TYPE A-III ($f_y = 450$ MPa)
- MINIMUM ANCHORAGE LENGTH OR OVERLAPPING LENGTH FOR REINFORCING BARS SHALL BE 60 DIAMETERS
- UNLESS OTHERWISE NOTED, REINFORCING BARS SHALL BE UNIFORMLY AND SIMMETRICALLY DISTRIBUTED
- THE CLOSURE OF STIRRUPS SHALL BE MADE WITH AN ANGLE OF 135° DEGREES
- GROUND COVER (REFERED THE EXTERNAL SIDE OF STIRRUPS & REINFORCEMENTS)
FOUNDATION SLAB 35mm
FOUNDATION PEDESTAL 30mm
WALL 25mm



DRAWING N.		REFERENCE DRAWING	
2	01.09.08	ELIMINATED GATE FOUN. & ROLLER FOUN. BETWEEN ALGN. B&C	RV AI
1	30.07.08	ISSUED FOR APPROVAL	RV AI
0	01.07.08	ISSUED FOR COMMENTS	RV AI
REV.	DATE	DESCRIPTION	DIS. CONTR. APPR.

 Saipem CONTRACTING NIGERIA LTD PORT HARCOURT, BASSA	Structural consultant: Dot. Ing. ATTILIO IANNUZZI PhD Via Locca n.88 - Tel. +39 0997505861 41010 Sordani e-mail: dot@dotconsultant.it				
	TITLE USAN NEW WORKSHOP FOUNDATIONS PLAN AT EL.+2500 & SECTIONS FORMWORKS & REINFORCEMENTS	CLIENT APPROVAL			
DATE 01.07.2008	SCALE 1:250	DIS. RV	CONTR. AI	APPR.	DRAWING No 282002_2 Sh.1/3