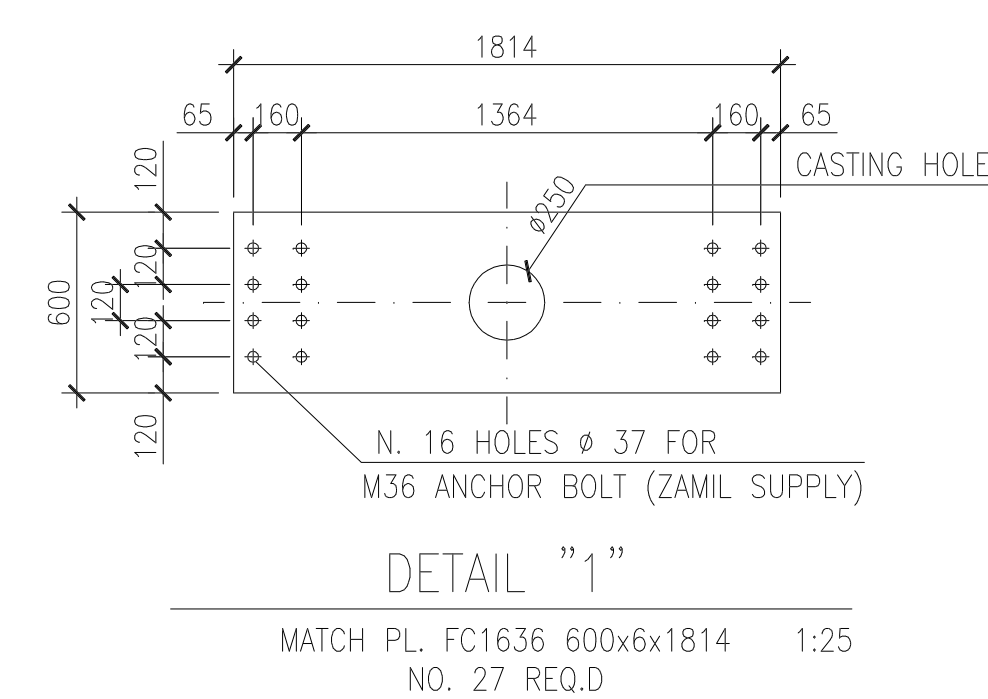
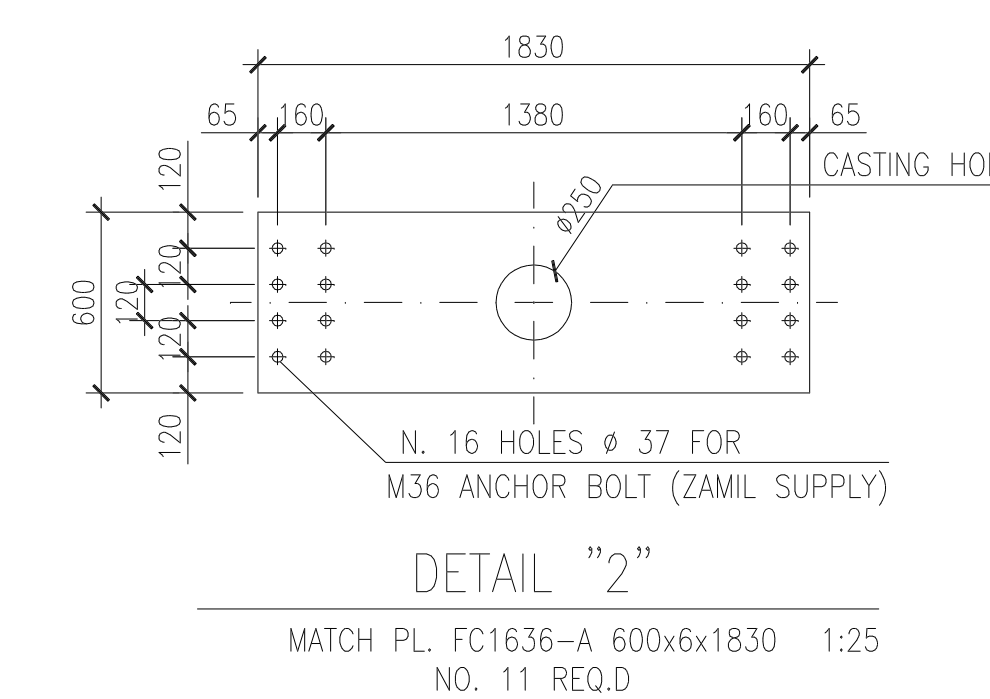


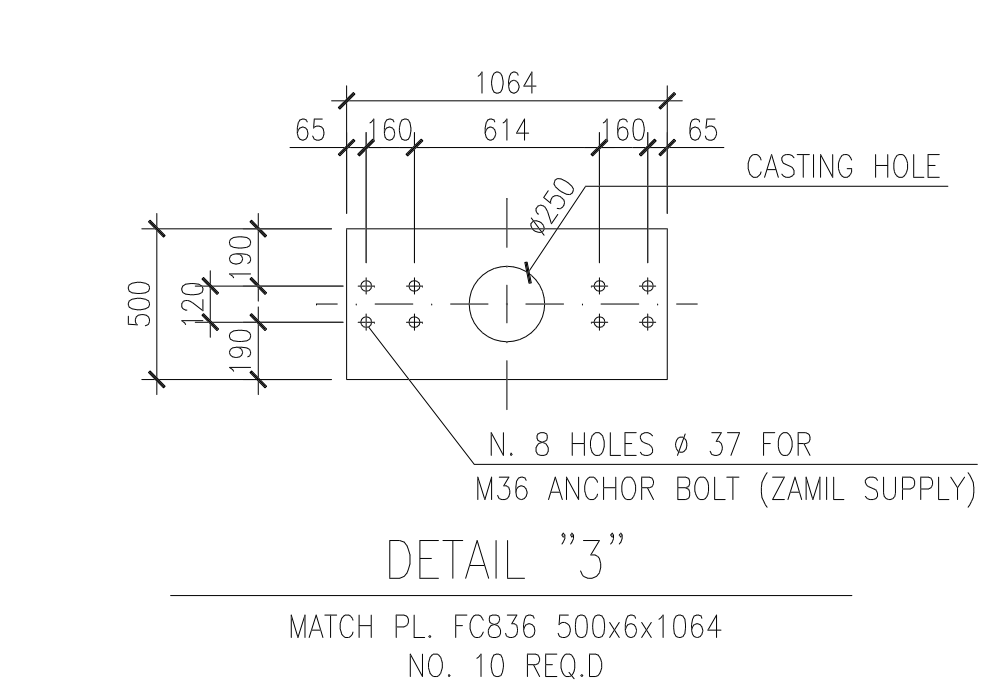
PLAN AT EL. +100
1:250
N.B.: B.O.P. AT ELEV. +150 MM



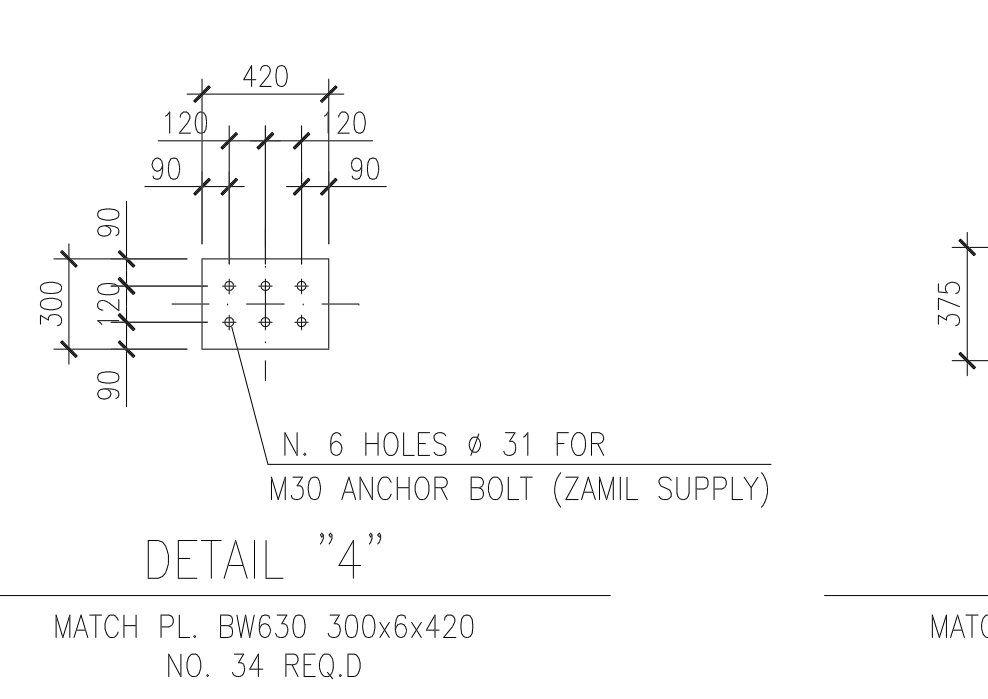
DETAIL "1"
MATCH PL. FC1636 600x6x1814
NO. 27 REQ.D



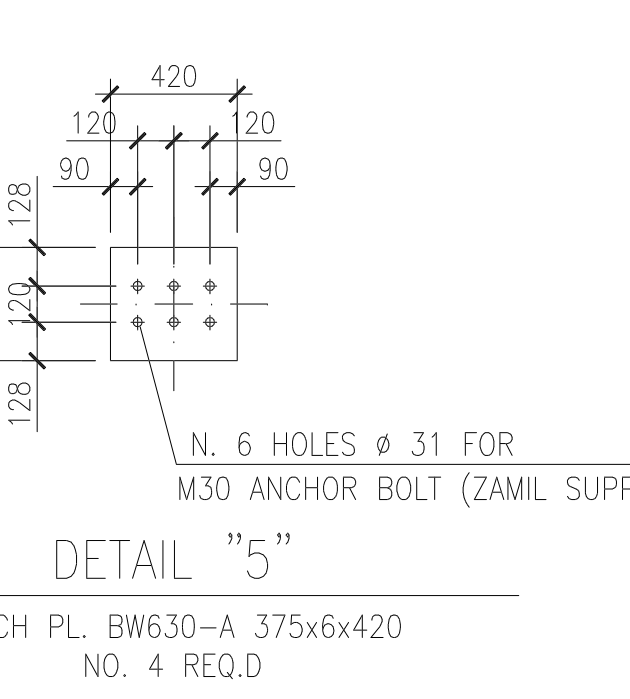
DETAIL "2"
MATCH PL. FC1636-A 600x6x1830
NO. 11 REQ.D



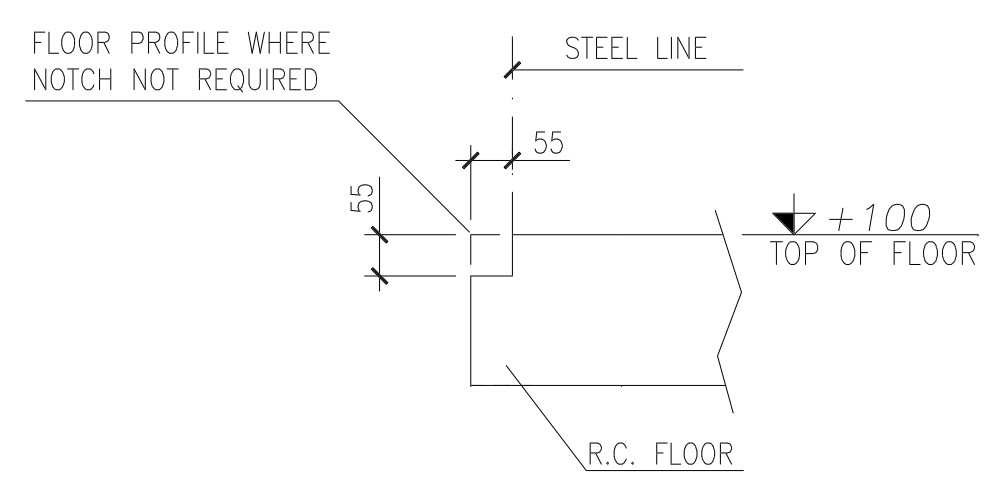
DETAIL "3"
MATCH PL. FC836 500x6x1064
NO. 10 REQ.D



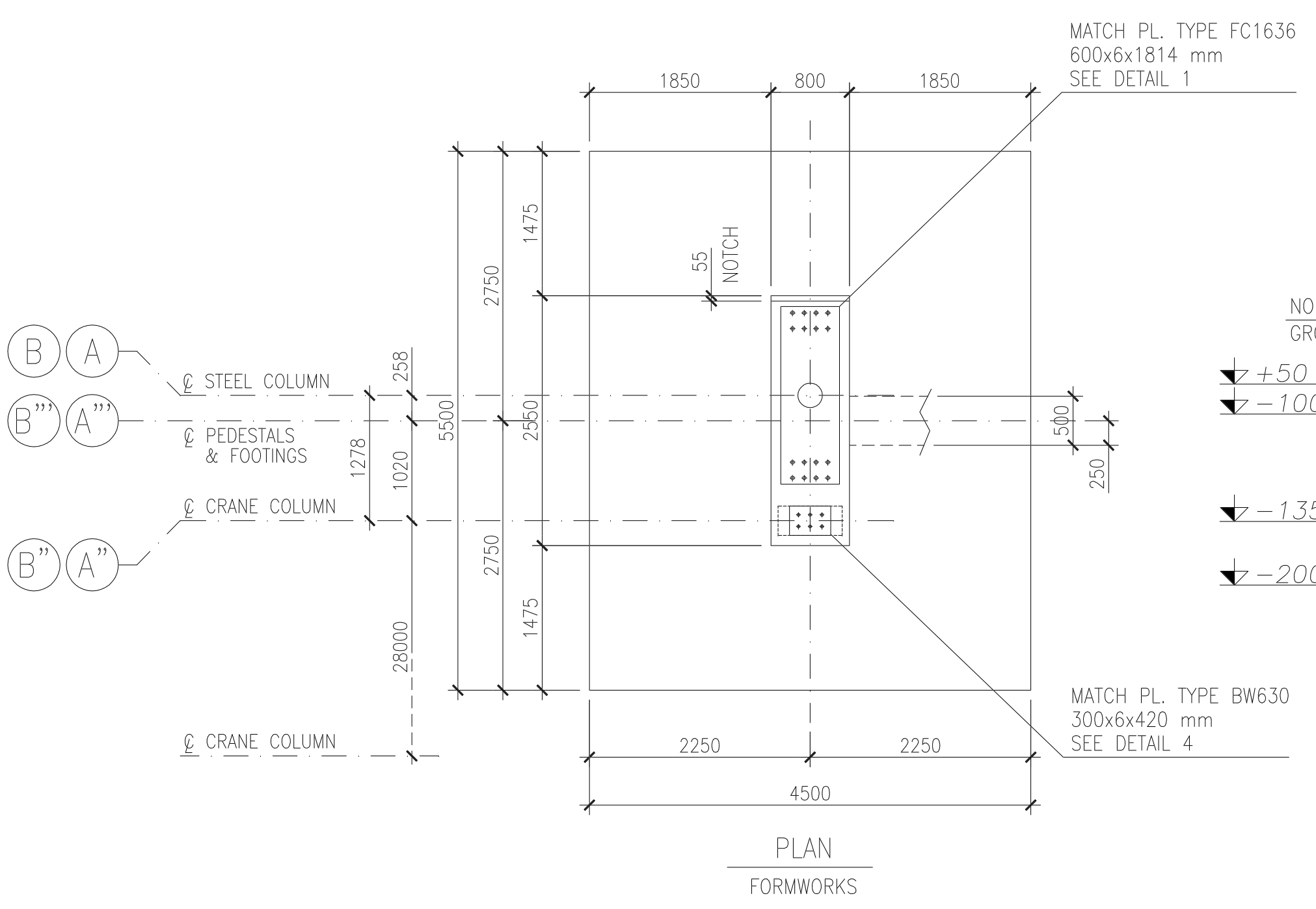
DETAIL "4"
MATCH PL. BW630 300x6x420
NO. 34 REQ.D



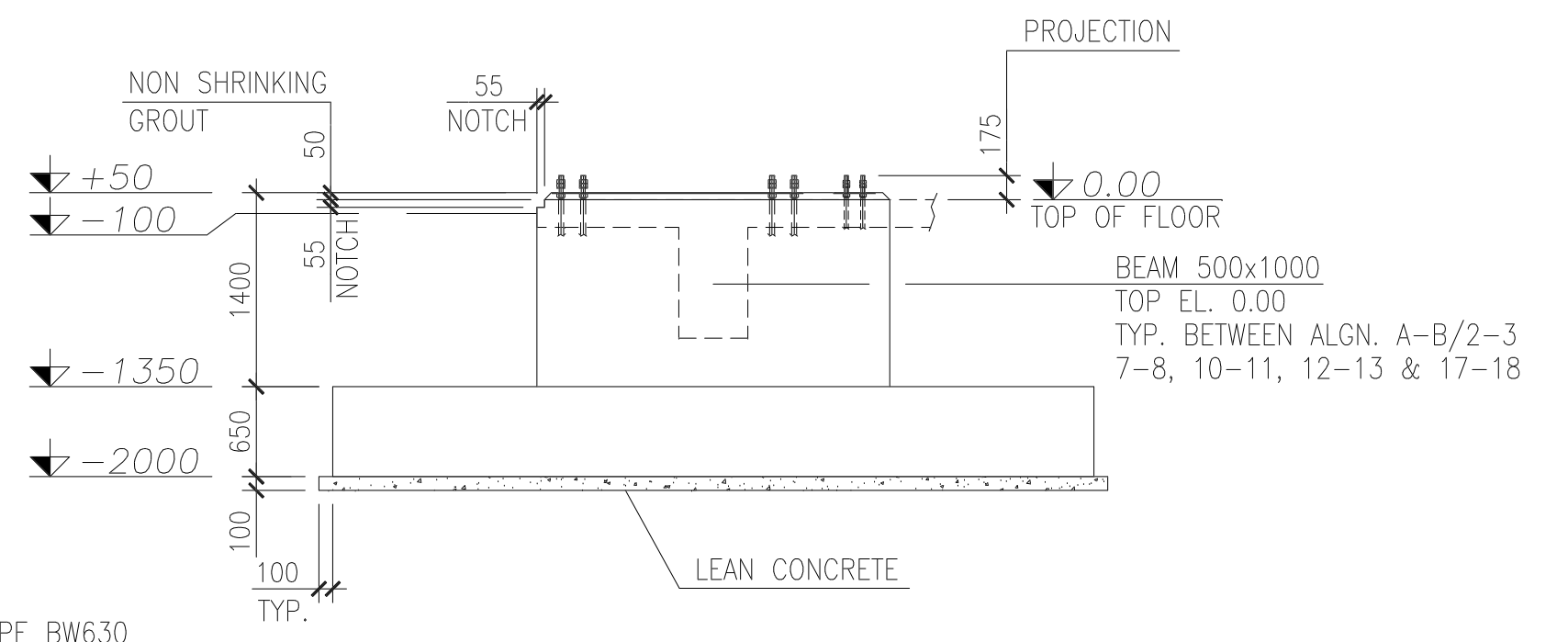
DETAIL "5"
MATCH PL. BW630-A 375x6x420
NO. 4 REQ.D



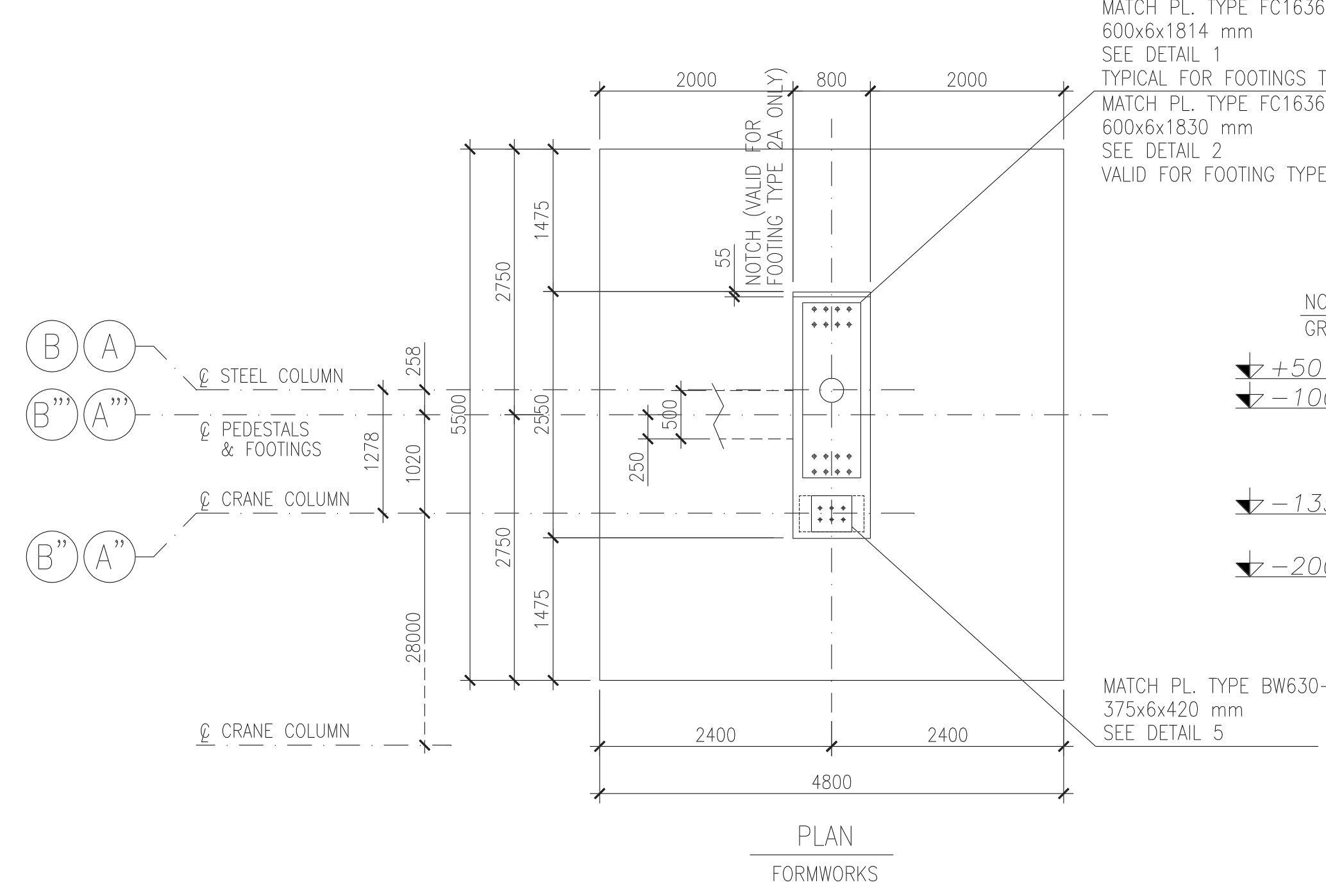
TYPICAL DETAIL
NOTCH
1:25



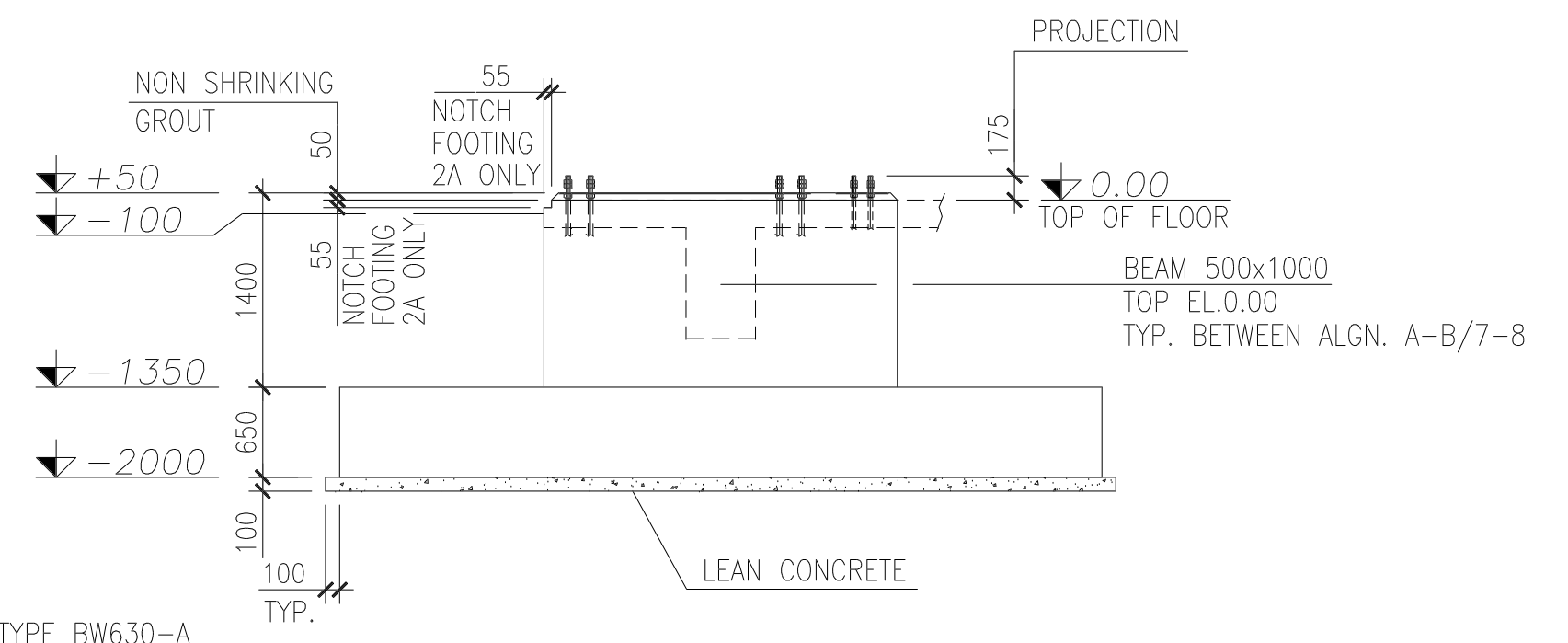
PLAN FORMWORKS



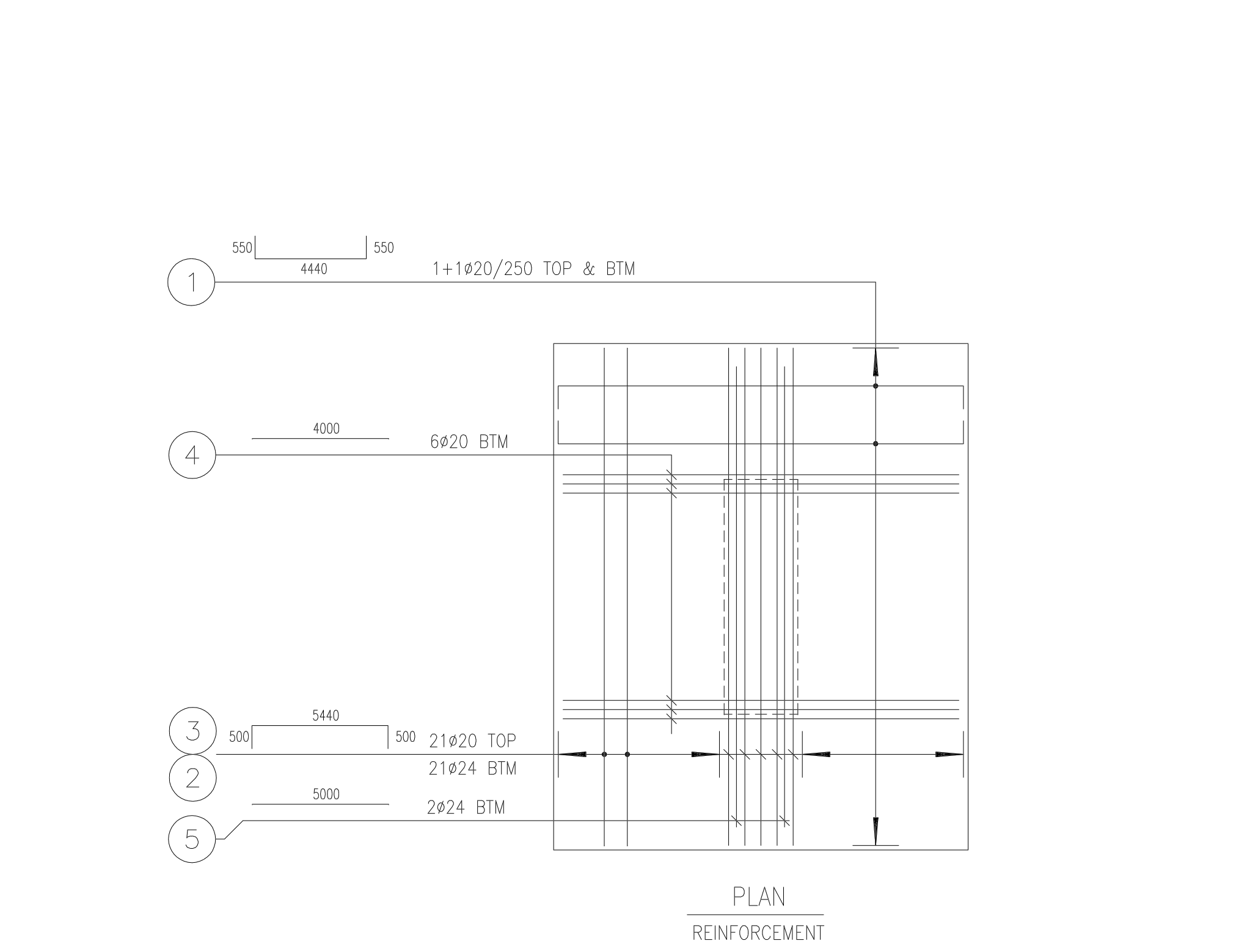
ELEVATION FORMWORKS



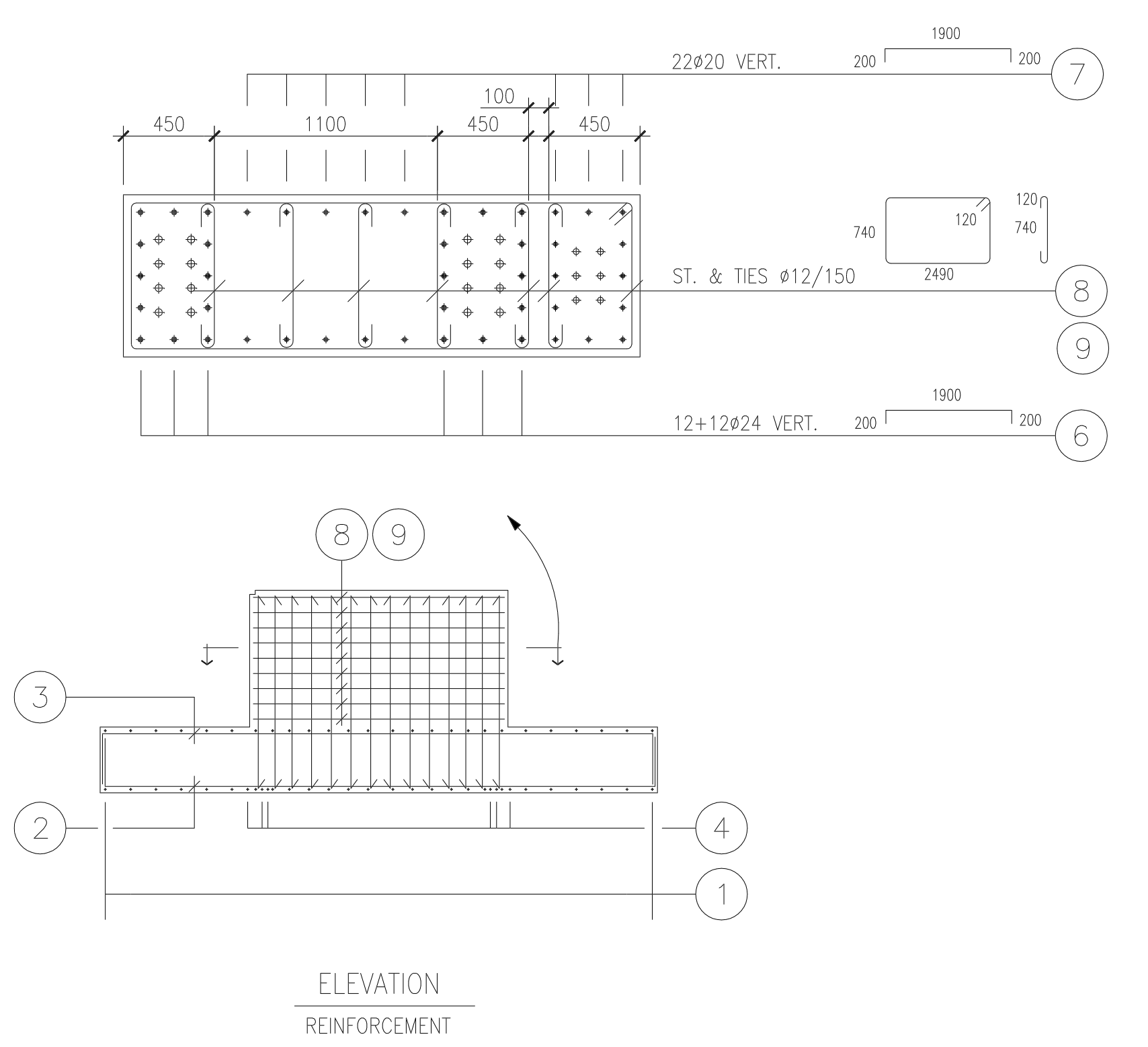
PLAN FORMWORKS



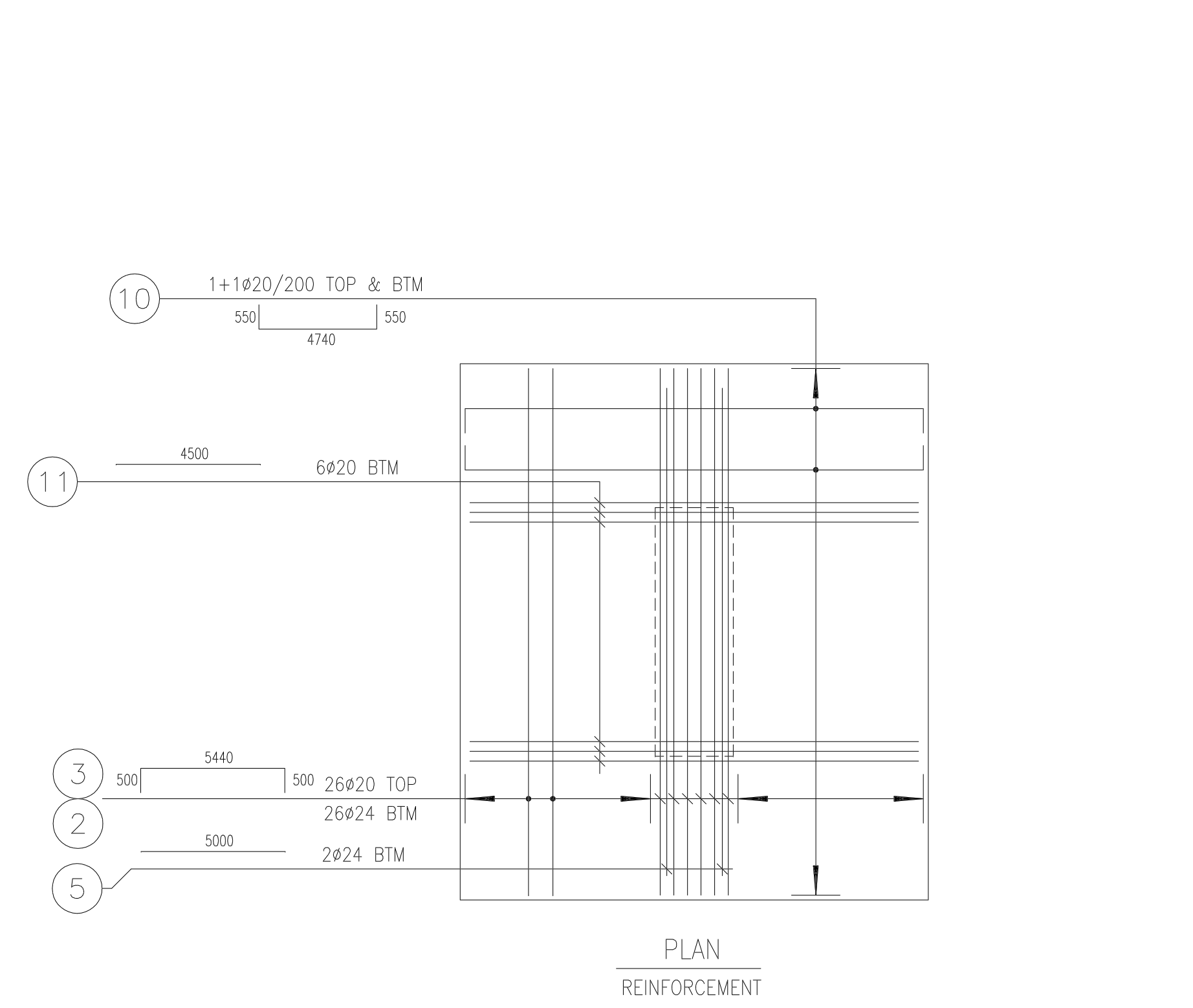
ELEVATION FORMWORKS



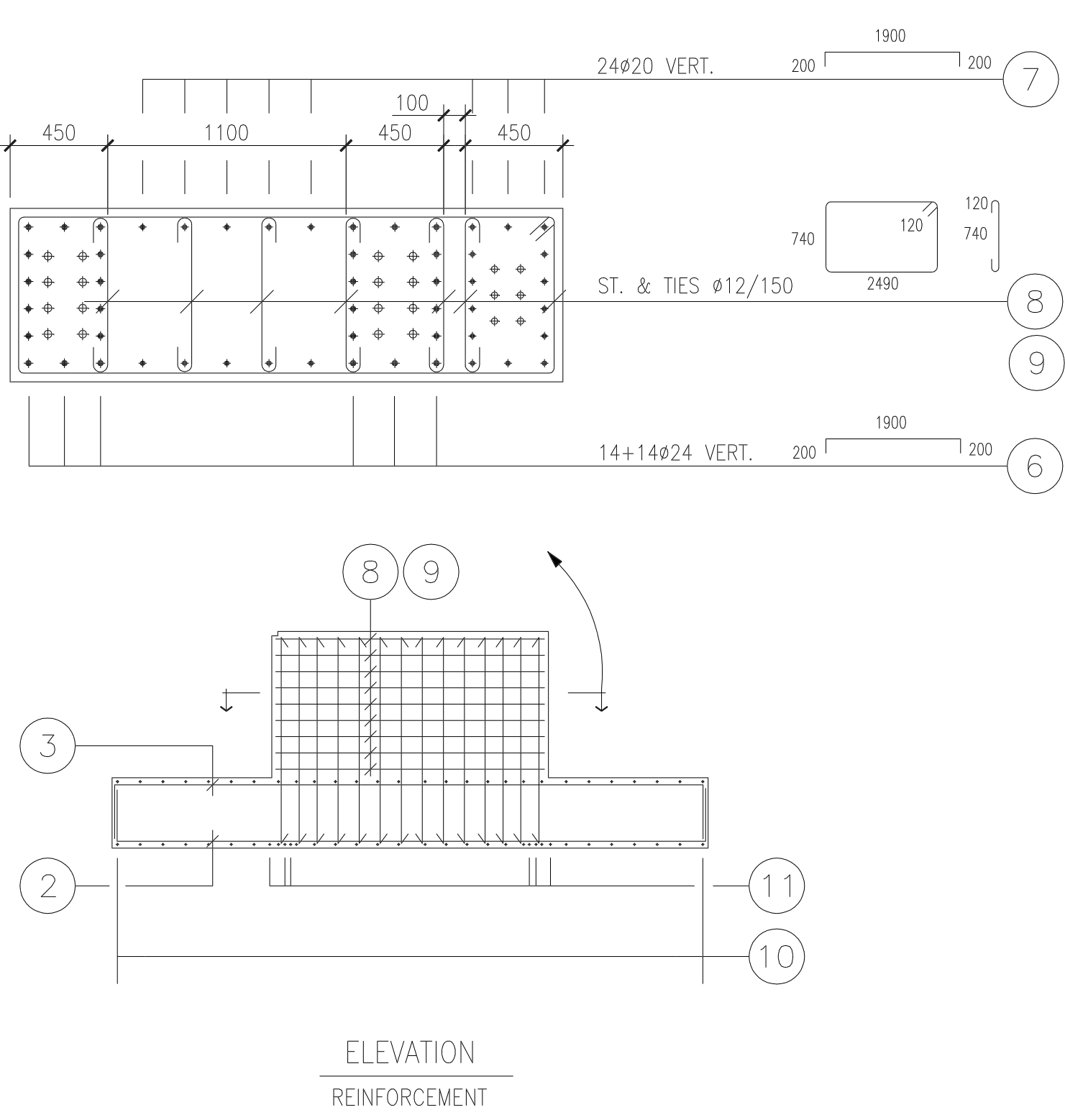
PLAN REINFORCEMENT



ELEVATION REINFORCEMENT



PLAN REINFORCEMENT



ELEVATION REINFORCEMENT

FOOTING TYPE "1"
1:50
VALID FOR ALGN. A-B/1-7, A/10-19
NO. 24 REQ.D

FOOTING TYPE "2A/2B"
1:50
VALID FOR ALGN. A-B/8-9
NO. 4 REQ.D
NO. 3 TYPE 2A
NO. 1 TYPE 2B

GENERAL NOTES FOR REINFORCED CONCRETE STRUCTURE

- ALL DIMENSIONS ARE IN MILLIMETERS UNLESS NOTED OTHERWISE
- ALL ELEVATION ARE REFERRED TO ELEVATION 0.00 CORRESPONDING TO THE WORKSHOP INTERNAL FINISHED LEVEL
- CONCRETE (SULPHATE RESISTANT TYPE)
CHARACTERISTIC COMPRESSIVE STRENGTH AT 28 DAYS $f'c = 30.0 \text{ MPa}$
LEAN CONCRETE
CHARACTERISTIC COMPRESSIVE STRENGTH AT 28 DAYS $f'c = 15.0 \text{ MPa}$
- REINFORCING BARS TYPE A-III ($f_y = 450 \text{ MPa}$)
- MINIMUM ANCHORAGE LENGTH OR OVERLAPPING LENGTH FOR REINFORCING BARS SHALL BE 60 DIAMETERS
- UNLESS OTHERWISE NOTED, REINFORCING BARS SHALL BE UNIFORMLY AND SIMMETRICALLY DISTRIBUTED
- THE CLOSURE OF STIRRUPS SHALL BE MADE WITH AN ANGLE OF 135° DEGREES
- CONCRETE COVER (REFERRED TO THE EXTERNAL SIDE OF STIRRUPS & REINFORCEMENTS)
FOUNDATION SLAB 30mm
FOUNDATION PEDESTAL 30mm
FOUNDATION BEAMS 30mm
- MAXIMUM ALLOWABLE TOLERANCES FOR ANCHOR BOLT INSTALLATION
C/C BETWEEN ANY 2 BOLTS OF AN ANCHOR BOLT GROUP 3 mm
C/C BETWEEN ANY 2 ADJACENT ANCHOR BOLT GROUPS 6 mm
C/C BETWEEN ANY 2 ANCHOR BOLT GROUPS (WITHIN 30 M) 25 mm
C/C BETWEEN ANY A.B. GROUP AND ESTABLISHED GRIDLINE 6 mm
TOP ELEVATION OF ANCHOR BOLT +/- 12 mm
- DURING EXCAVATION THE DIRECTOR OF WORKS SHALL VERIFY THAT THE FOUNDATION SOIL IS STIFF ENOUGH TO SUPPORT AN ALLOWABLE PRESSURE OF 200 kPa. IF NOT THE SOIL SHOULD BE COMPACTED OR SUBSTITUTED FOR A MINIMUM DEPTH OF 0.30 M WITH SELECTED GRANULAR MATERIAL COMPACTED TO 90% MIN OF ASSHTO MOD. DENSITY

ZAMIL STEEL G3-3318 F02	ANCHOR BOLT DETAILS & REACTION				
ZAMIL STEEL G3-3318 F01	ANCHOR BOLT KEY PLAN				
DRAWING N.	REFERENCE DRAWING				
2	25.07.09	REVISED REFERENCE LEVEL	GD	AI	
1	10.04.09	ISSUED FOR CONSTRUCTION	GD	AI	
0	31.03.09	ISSUED FOR INFO	GD	AI	
REV.	DATE	DESCRIPTION	DIS.	CONTR.	APPR.

Structural consultant:
Petromar
ING. ANGELO AMBRIZ YARD REHABILITATION PROJECT
Dot. Ing. ATTILIO IANNUZZI PhD
Via Lancia, 3/6 - Tel. +39 039 510081
29100 Sarnano (MC) -
e-mail: info@petromar.com

TITLE: AMBRIZ MAIN WORKSHOP FOUNDATIONS PLAN AT EL.+50 FOOTINGS TYPE 1 & 2 - FORMWORKS & REINF.
CLIENT APPROVAL: _____

DATE: 31.03.2009 SCALE: 1:250 DIS.: GD CONTR.: AI APPR.: _____ DRAWING No: 291401_1 Sh. 1/2

LICIA 291401_2 - 20.05.10 - 25.07.2009